

1 / 2 " SCALE CENTERLINE SECTION

THE PINTER CELEBRATION
 BY WILLIAM SHAKESPEARE, PRODUCED BY PICT, ARTISTIC DIRECTOR: ANDREW PAUL, PRODUCTION MANAGER: PHIL MADORE, SCENIC DESIGNER: GIANNI DONWS,
 COSTUME DESIGNER: CRYSTAL GOMES, LIGHTING DESIGNERS: JIM FRENCH AND NIKI ELLIS, SOUND DESIGNER: LIZ ATKINSON

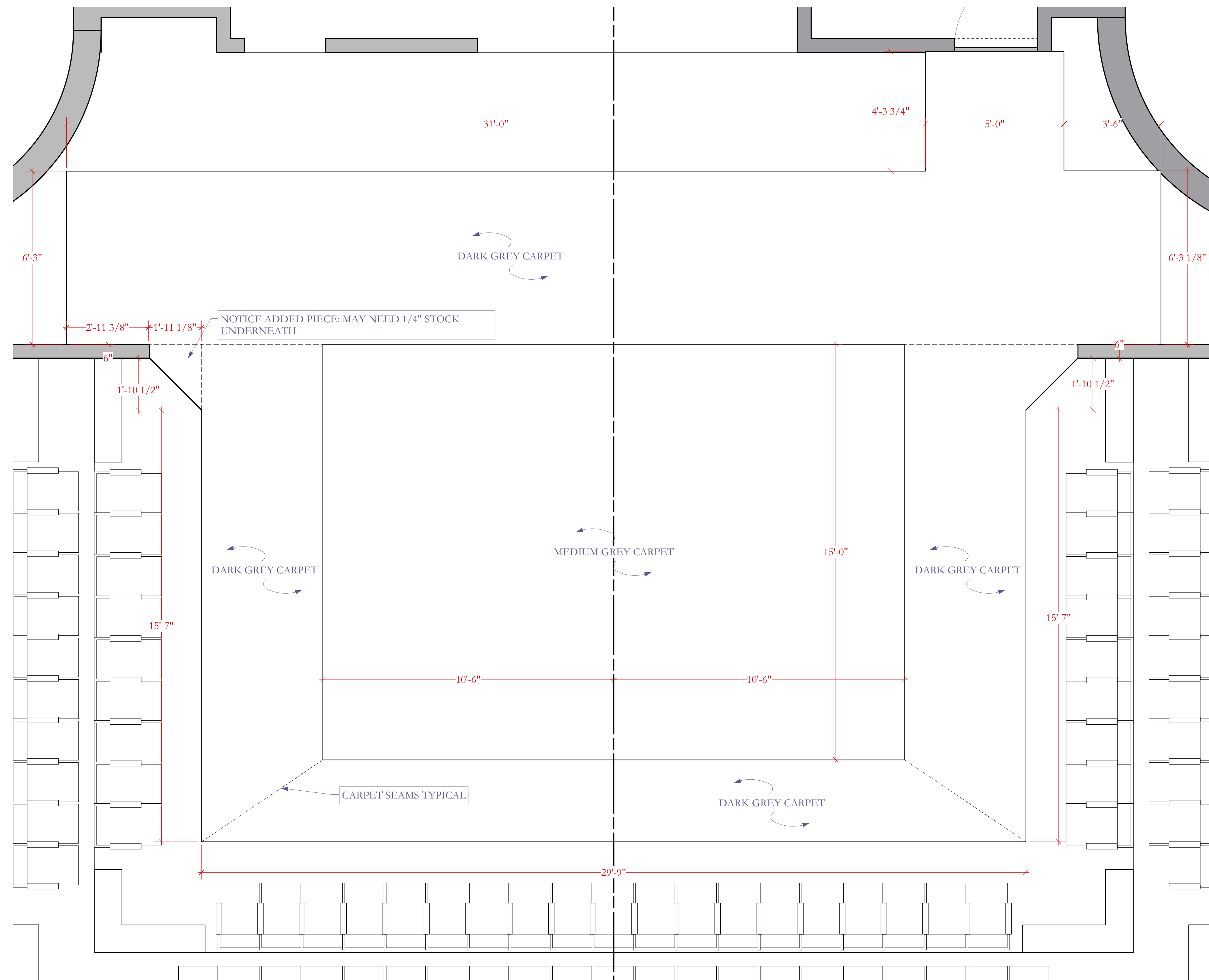
1 / 2 " SCALE CENTERLINE SECTION
 SCALE: 1/2" = 1'-0"

PLATE #:

2

OF 5

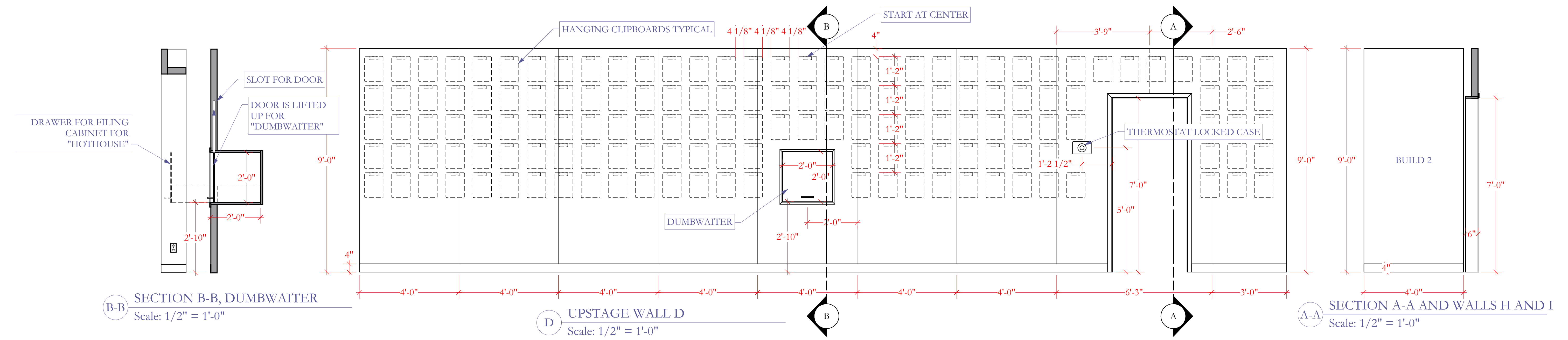
JUNE 7, 2010



General Notes

1. CARPET IS A LOW PILE COMMERCIAL GRADE CARPET.
2. BRAND AND SPECIFIC COLORS TBD
3. INNER RECTANGLE OF MEDIUM GREY CARPET IS ALIGNED WITH THE UPSTAGE EDGE OF THE RISER WALL AND CENTERED STAGE LEFT AND STAGE RIGHT
4. NOTICE THE ADDED TRIANGULAR FLOOR PIECES SL AND SR OF THE MAIN PLAYING SPACE
5. NOTICE THE DASHED SEAM INDICATORS

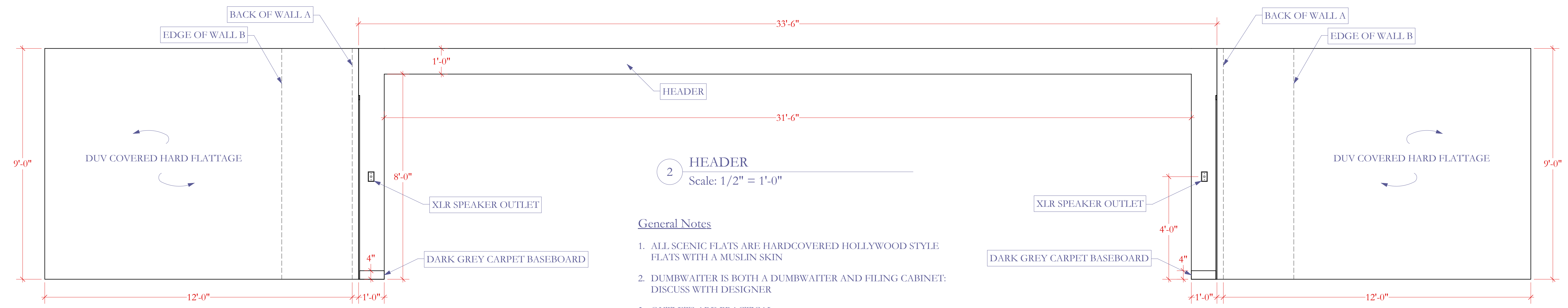
1/2" SCALE DECK AND CARPET PLAN



B-B SECTION B-B, DUMBWAITER
Scale: 1/2" = 1'-0"

D UPSTAGE WALL D
Scale: 1/2" = 1'-0"

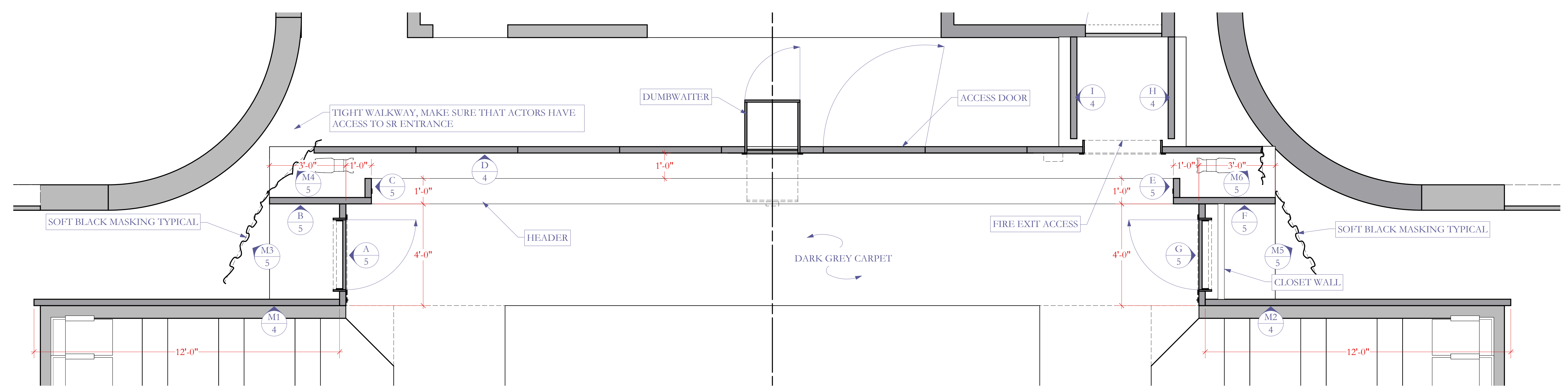
A-A SECTION A-A AND WALLS H AND I
Scale: 1/2" = 1'-0"



M1 MASKING FLAT M1
Scale: 1/2" = 1'-0"

M2 MASKING FLAT M2
Scale: 1/2" = 1'-0"

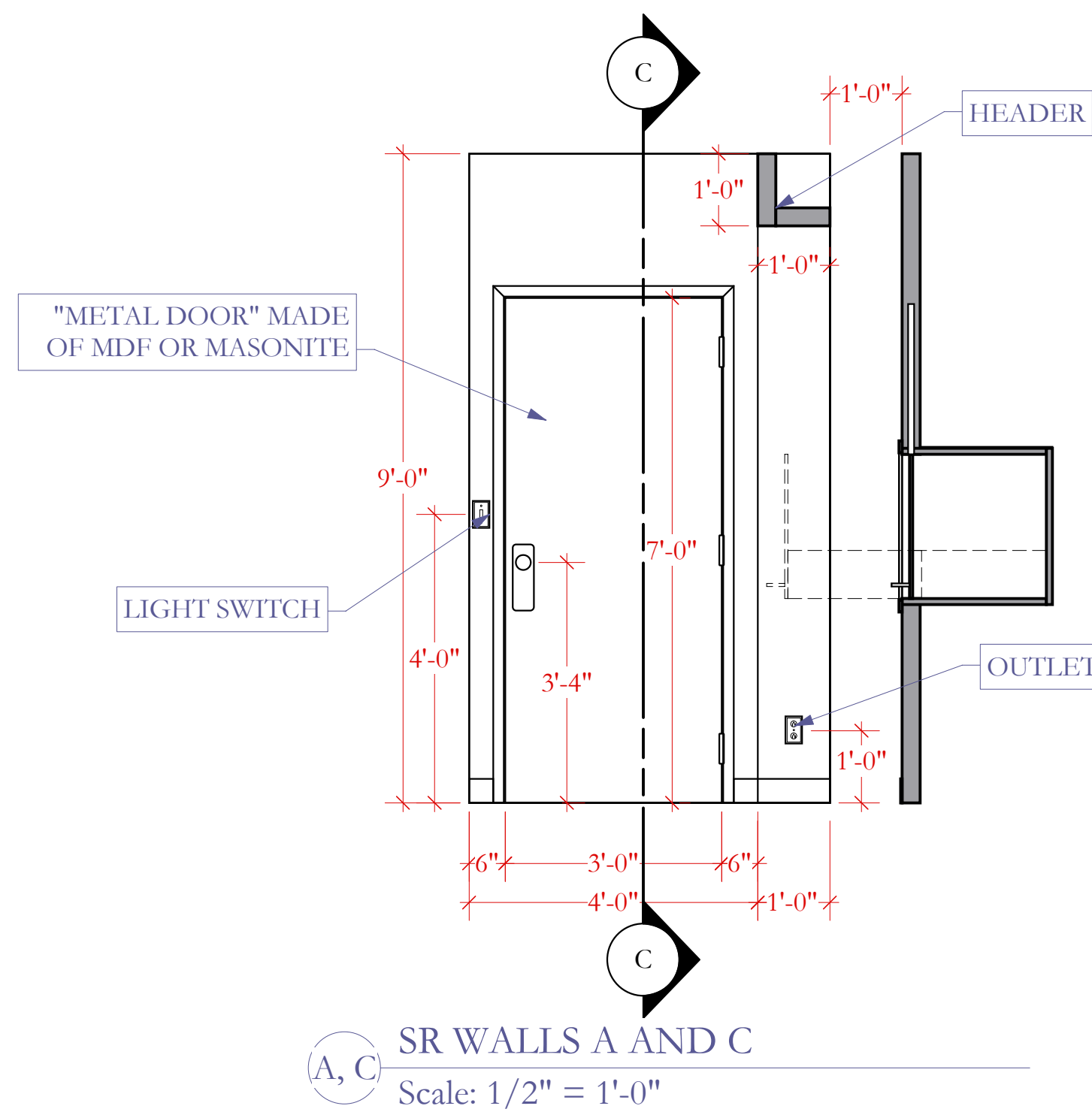
- General Notes**
1. ALL SCENIC FLATS ARE HARDCOVERED HOLLYWOOD STYLE FLATS WITH A MUSLIN SKIN
 2. DUMBWAITER IS BOTH A DUMBWAITER AND FILING CABINET; DISCUSS WITH DESIGNER
 3. OUTLETS ARE PRACTICAL.



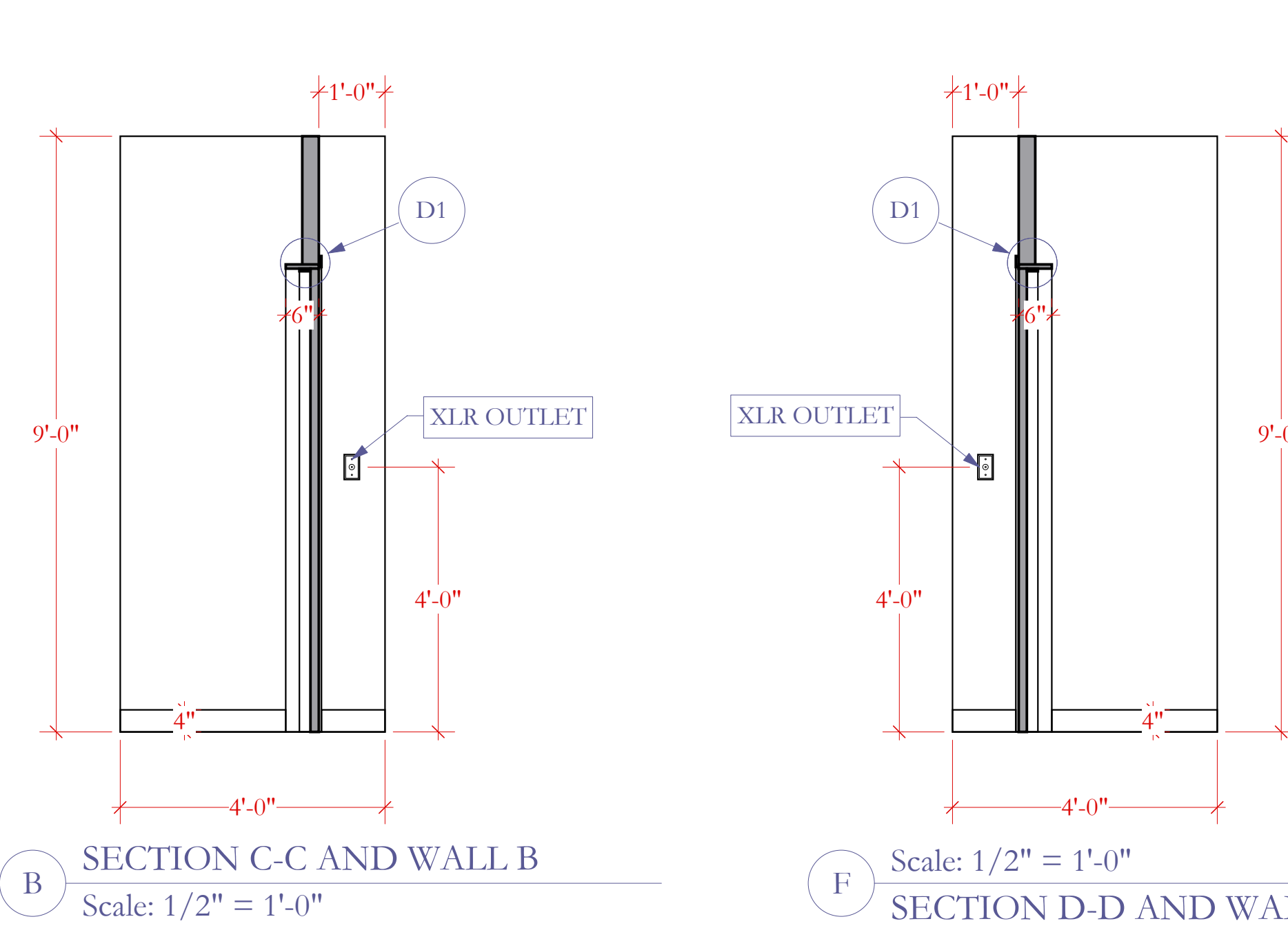
1 FLATTAGE GROUNDPLAN
Scale: 1/2" = 1'-0"

THE PINTER CELEBRATION
 BY WILLIAM SHAKESPEARE, PRODUCED BY PICT, ARTISTIC DIRECTOR: ANDREW PAUL, PRODUCTION MANAGER: PHIL MADORE, SCENIC DESIGNER: GIANNI DONWS,
 COSTUME DESIGNER: CRYSTAL GOMES, LIGHTING DESIGNERS: JIM FRENCH AND NIKI ELLIS, SOUND DESIGNER: LIZ ATKINSON

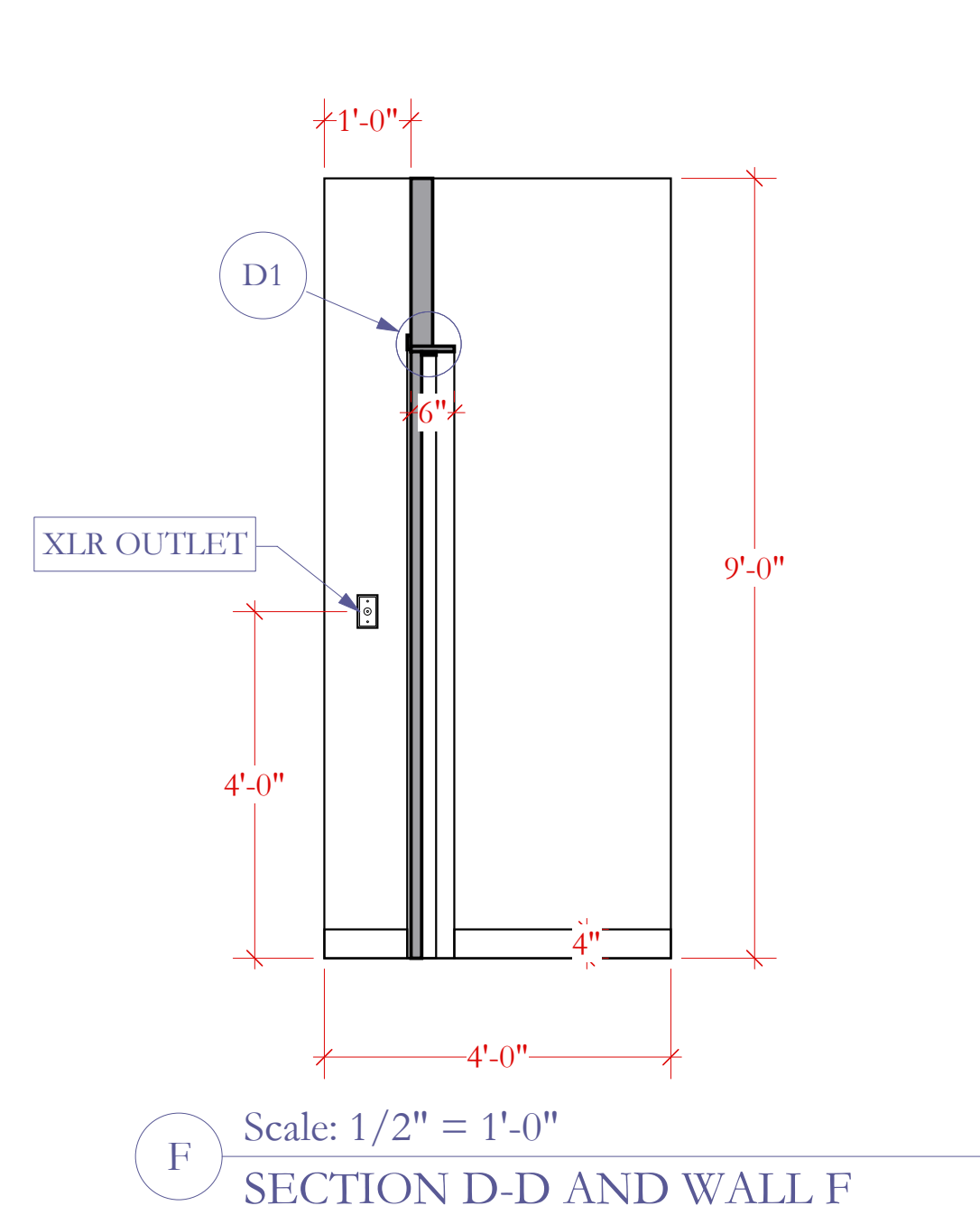
WALLS, DOORS, AND MASKING
 SCALE: 1/2" = 1'-0"



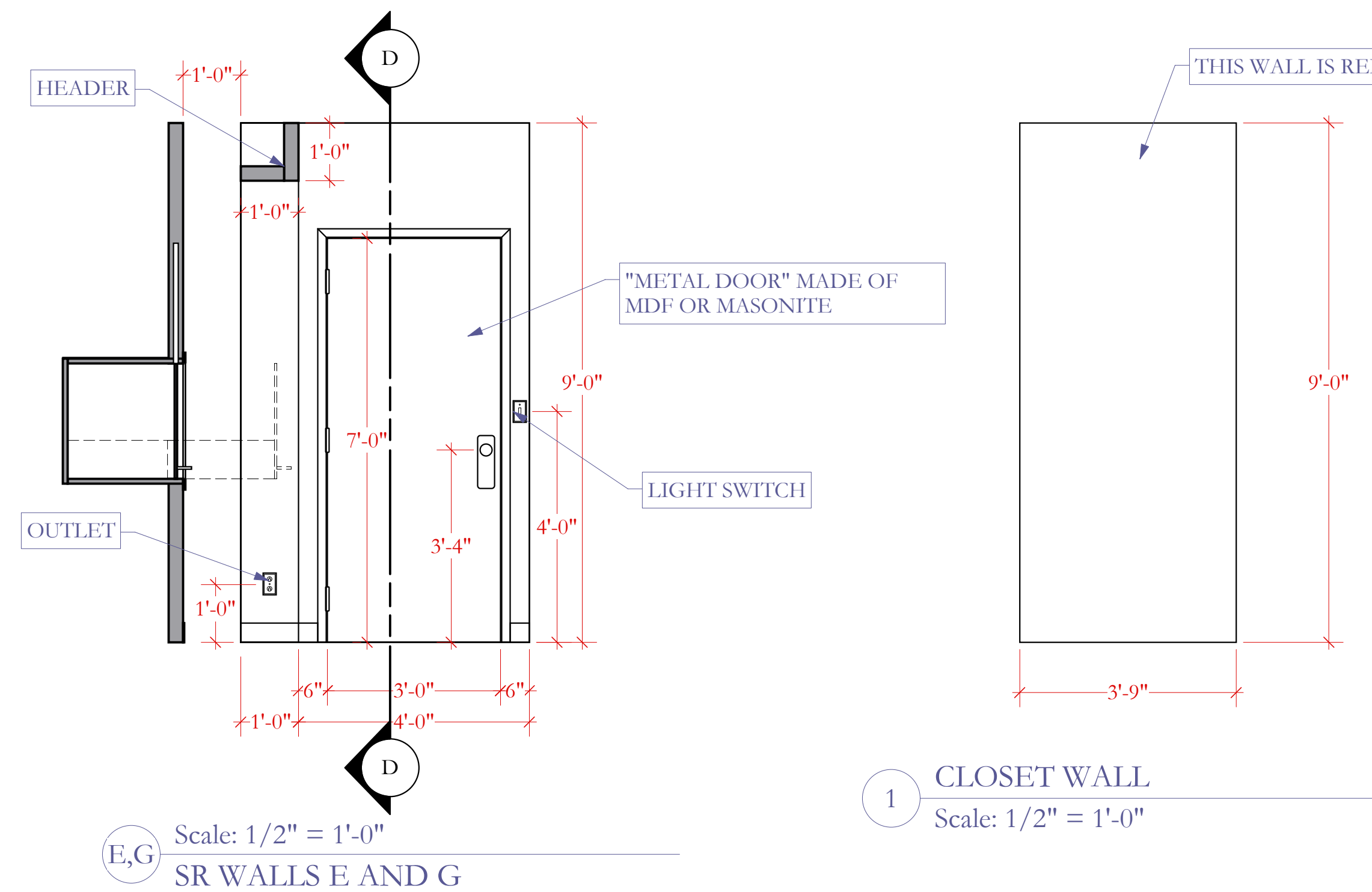
(A, C) SR WALLS A AND C
Scale: 1/2" = 1'-0"



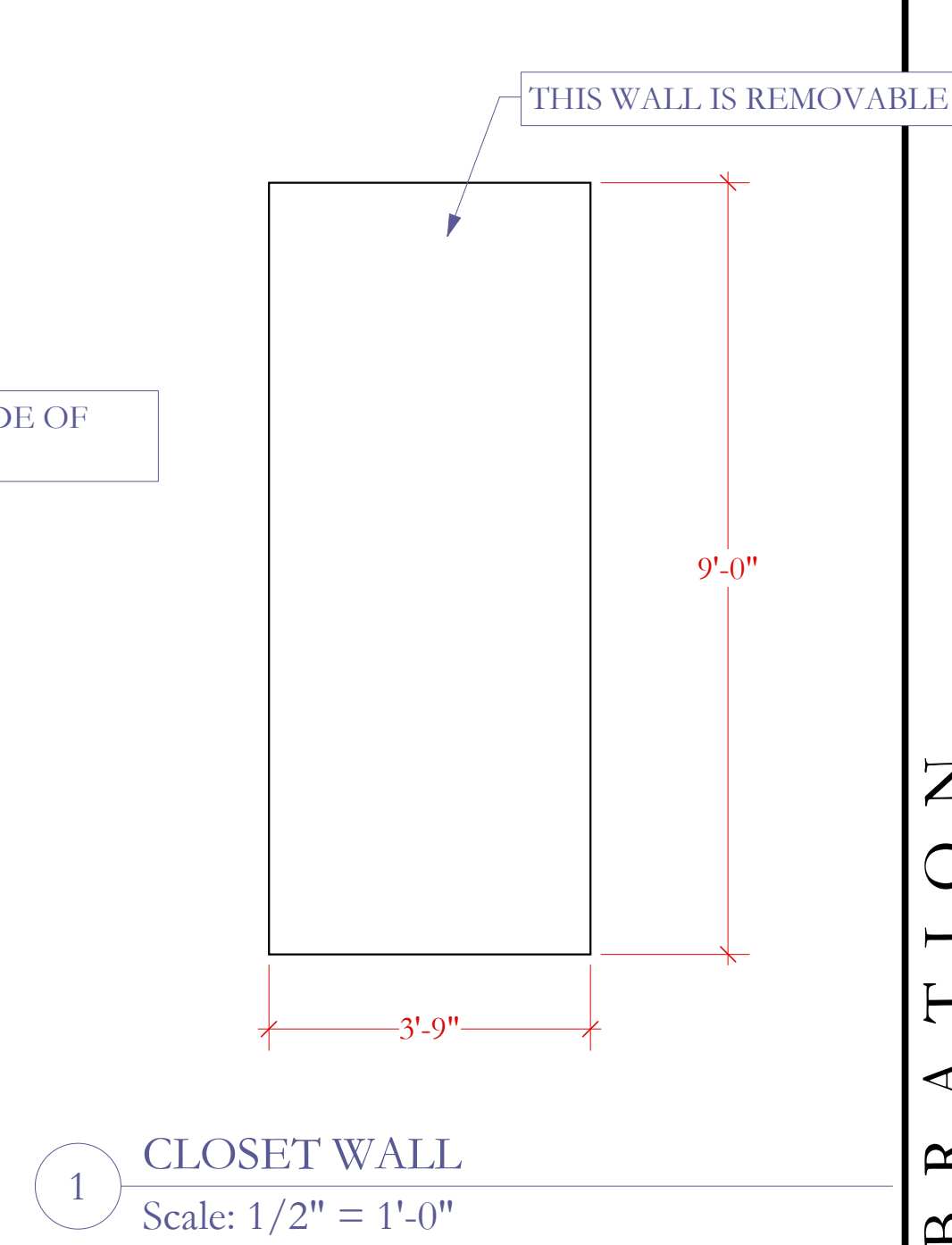
(B) SECTION C-C AND WALL B
Scale: 1/2" = 1'-0"



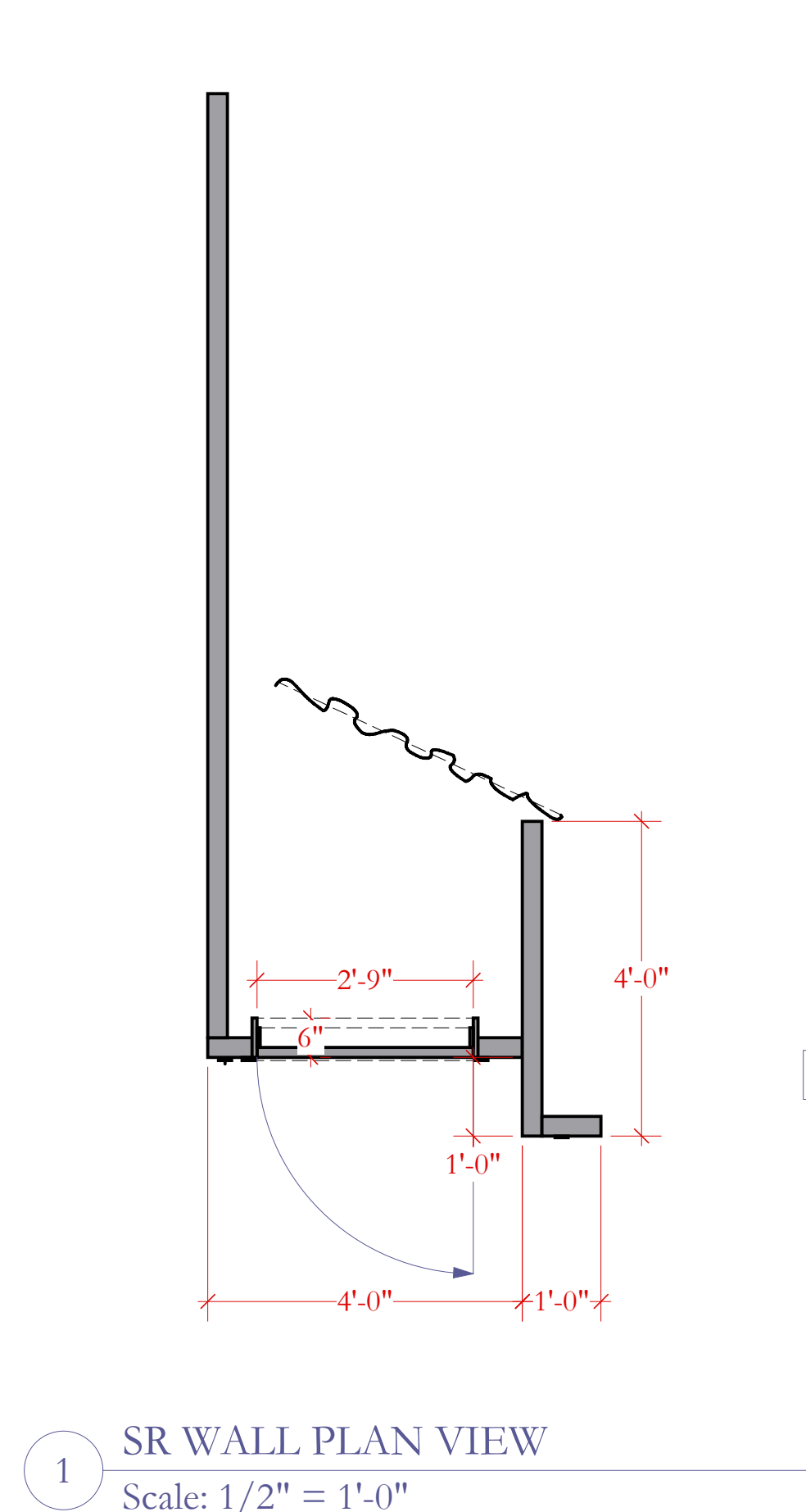
(F) SECTION D-D AND WALL F
Scale: 1/2" = 1'-0"



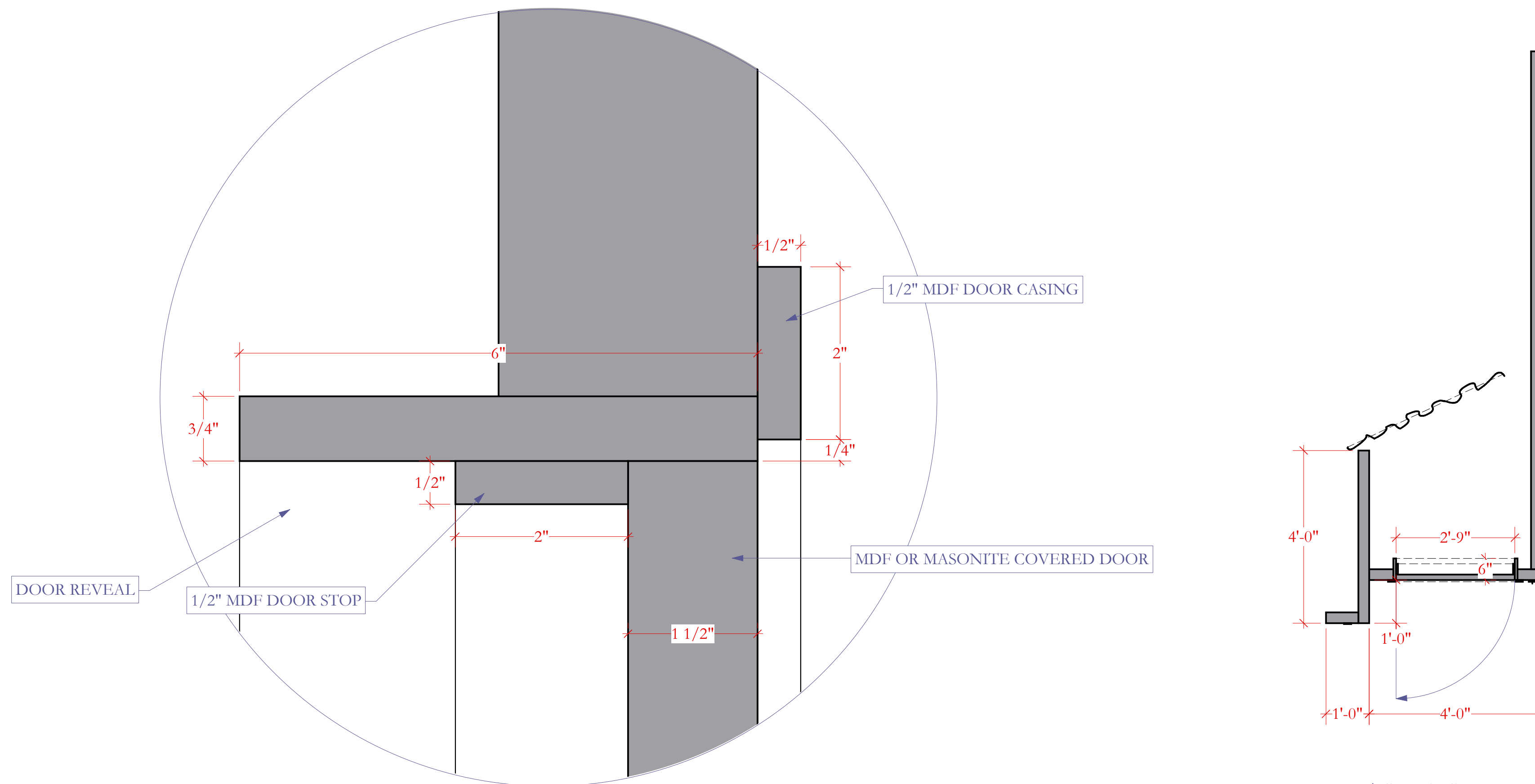
(E, G) SR WALLS E AND G
Scale: 1/2" = 1'-0"



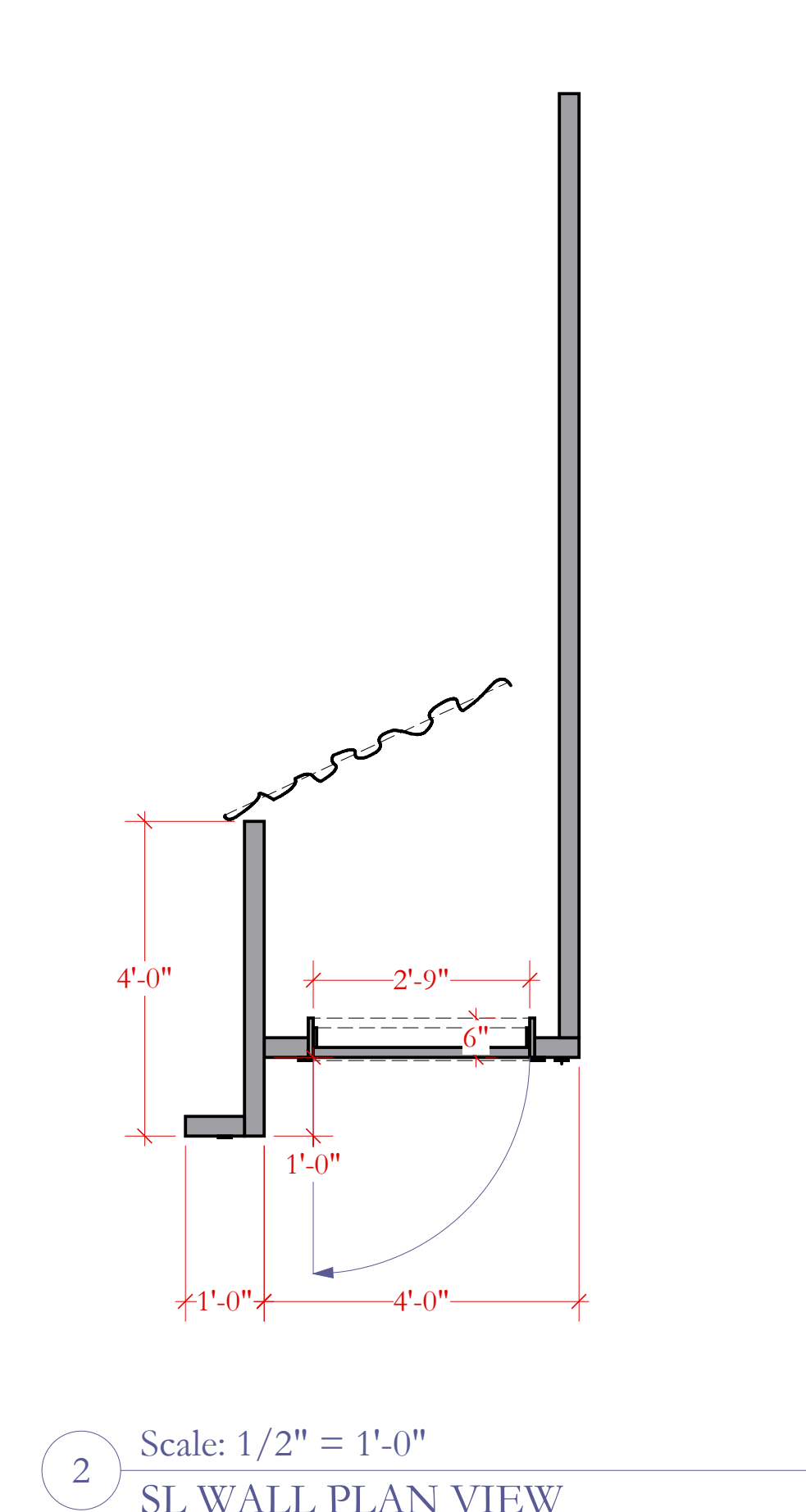
(1) CLOSET WALL
Scale: 1/2" = 1'-0"



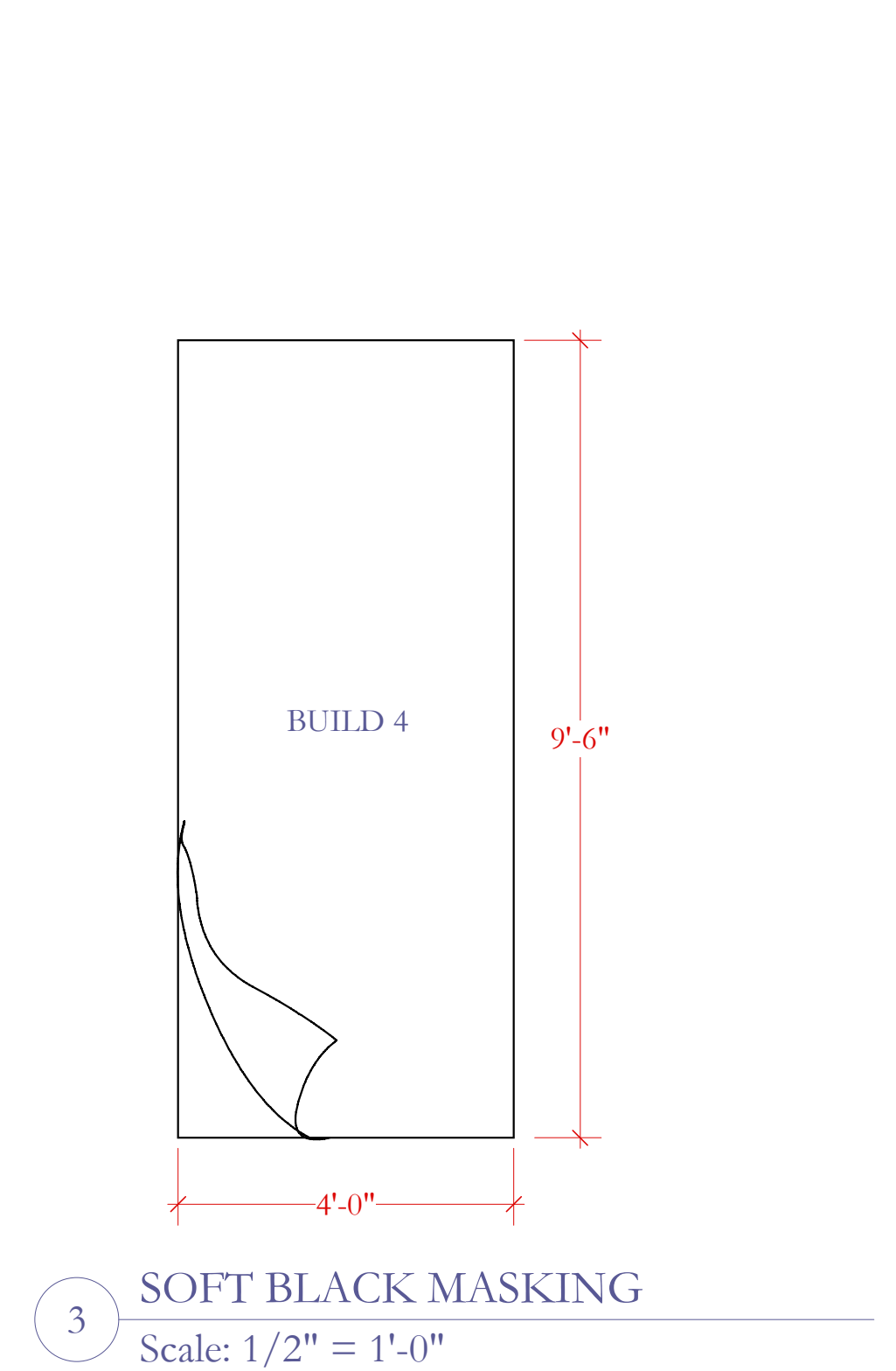
(1) SR WALL PLAN VIEW
Scale: 1/2" = 1'-0"



(D1) DETAIL 1: MOULDING
Scale: Actual Size



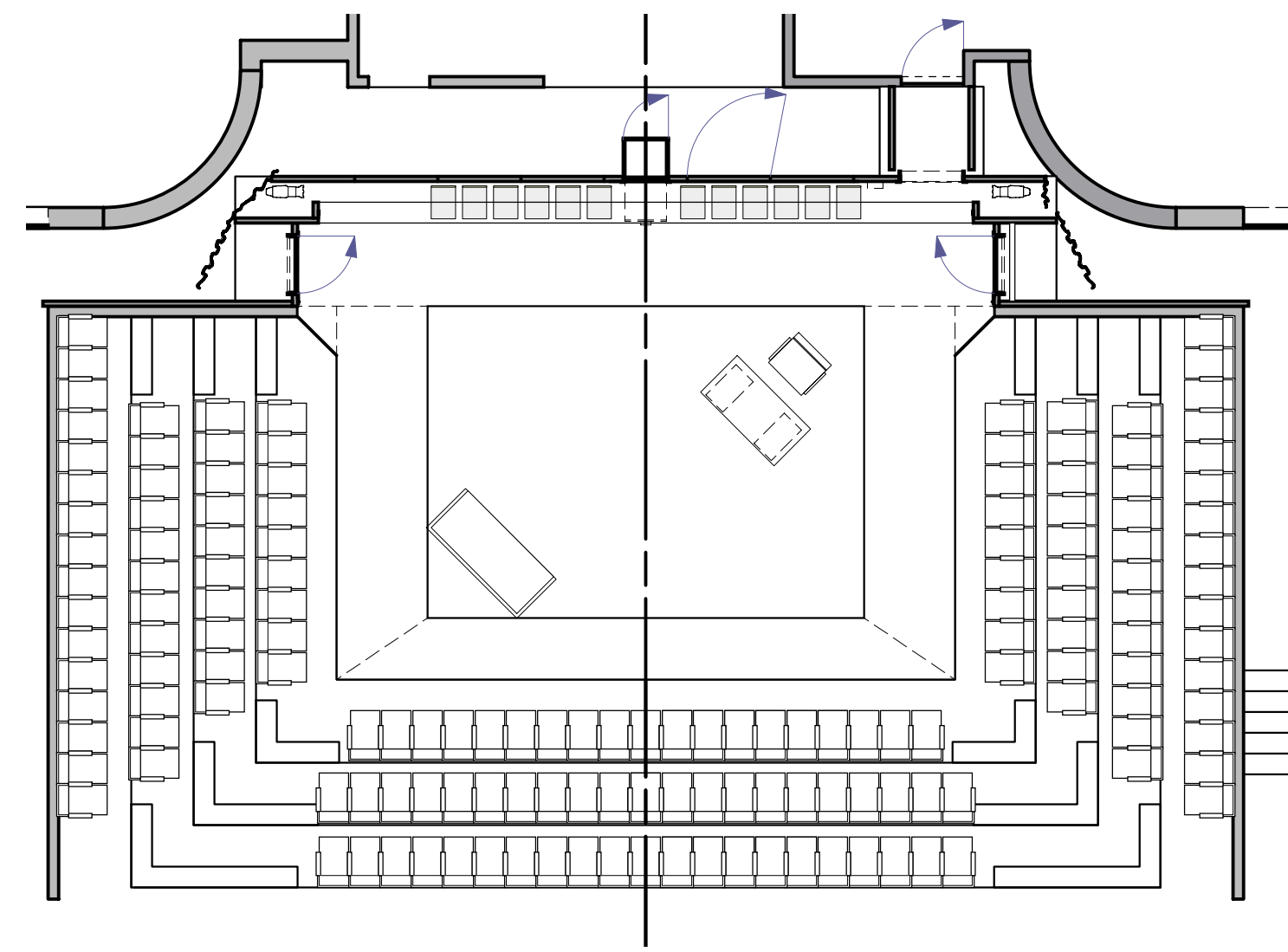
(2) SL WALL PLAN VIEW
Scale: 1/2" = 1'-0"



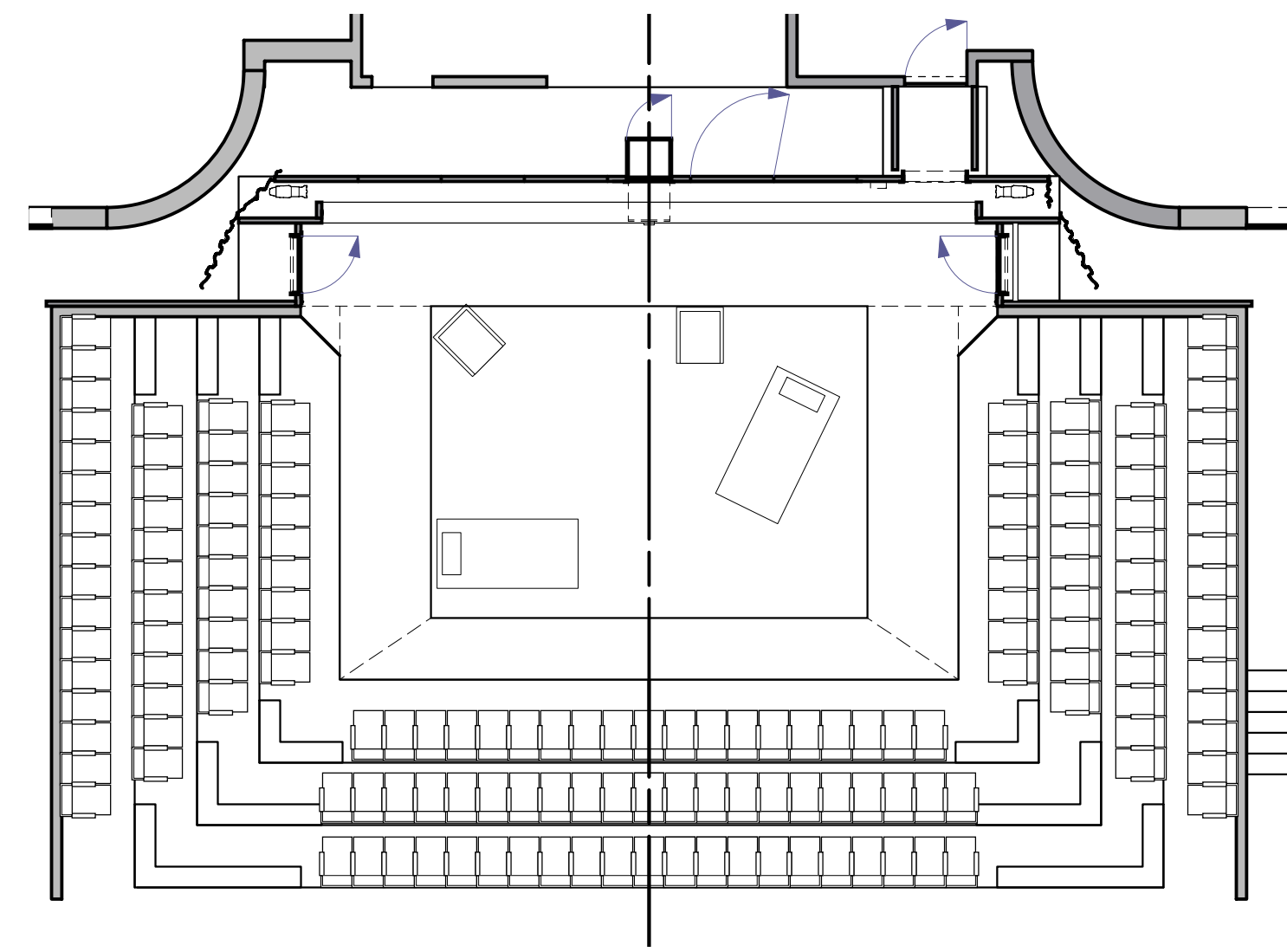
(3) SOFT BLACK MASKING
Scale: 1/2" = 1'-0"

General Notes

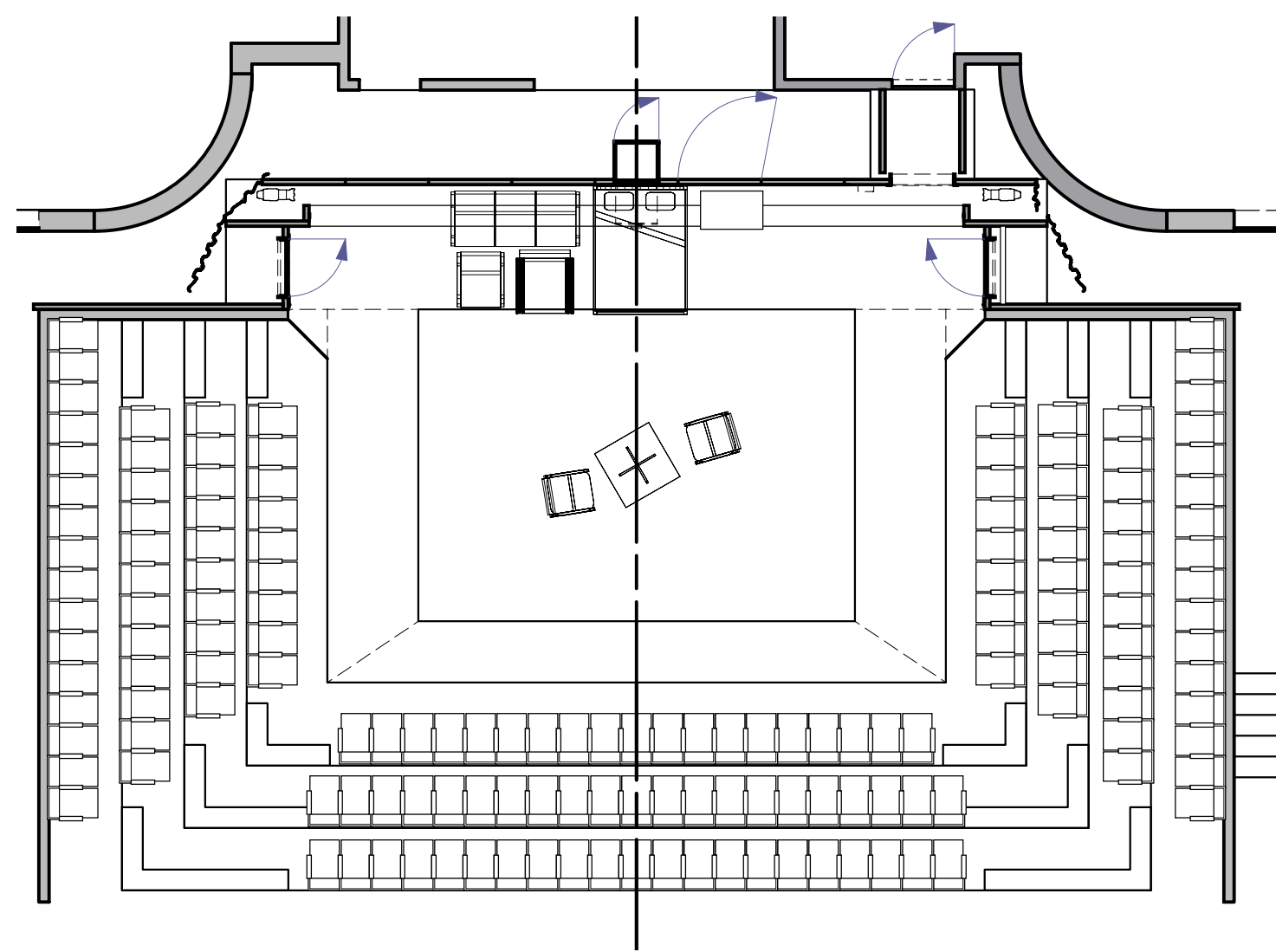
1. ALL WALLS ARE STANDARD HOLLYWOOD STYLE FLATS WITH A MUSLIN SKIN
2. ALL BASEBOARDS ARE 4" STRIPS OF THE DARK GREY CARPET WITH A TAPED TOP EDGE
3. ALL DOOR CASING IS 1/2" MDF WITH THE SIDES ROUNDED OVER
4. DOORS AND CASINGS IS TO LOOK LIKE INDUSTRIAL STEEL DOORS AND CASINGS
5. ALL OUTLETS ARE PRACTICAL



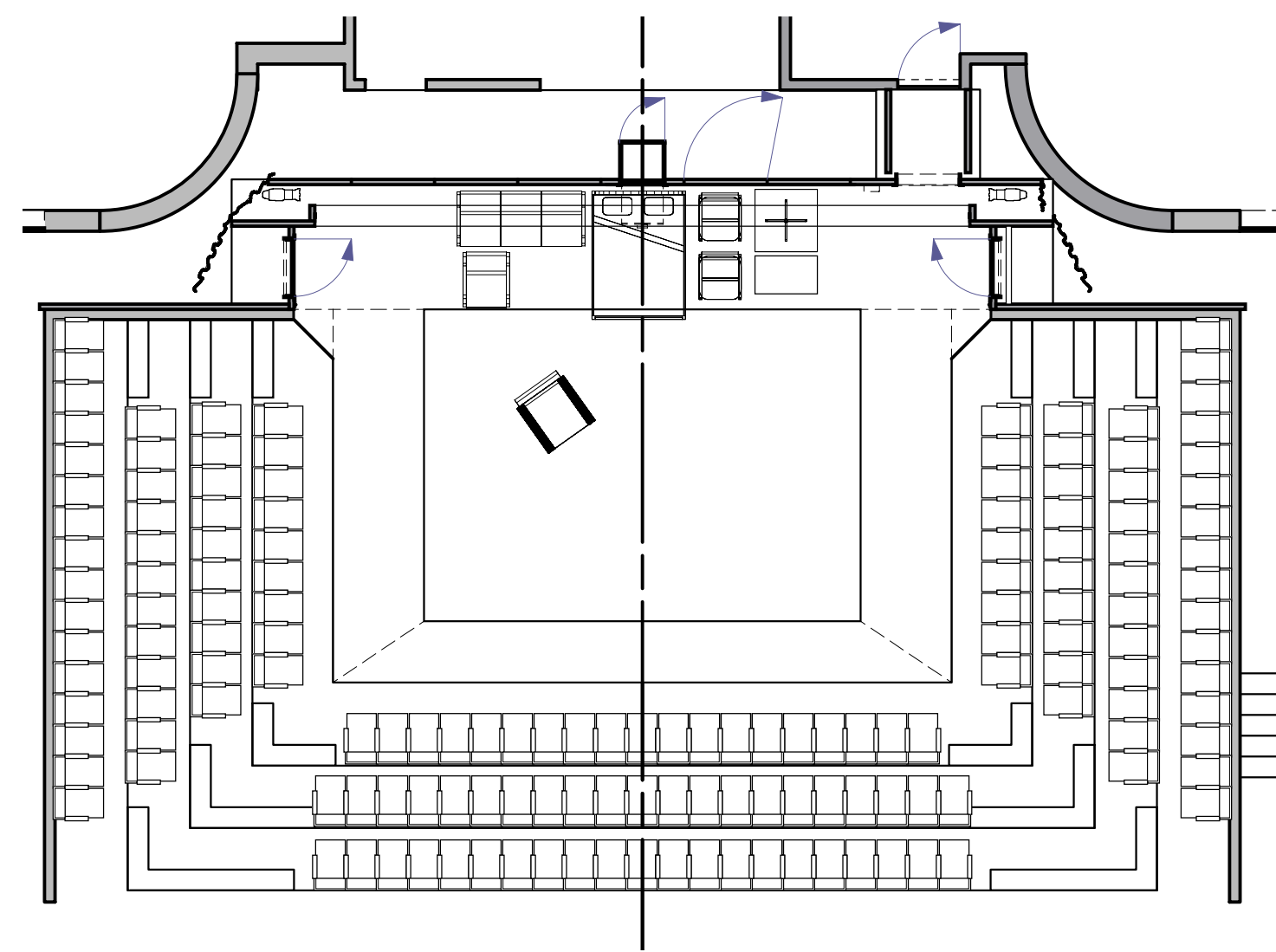
1 HOTOHOUSE
Scale: 1/8" = 1'-0"



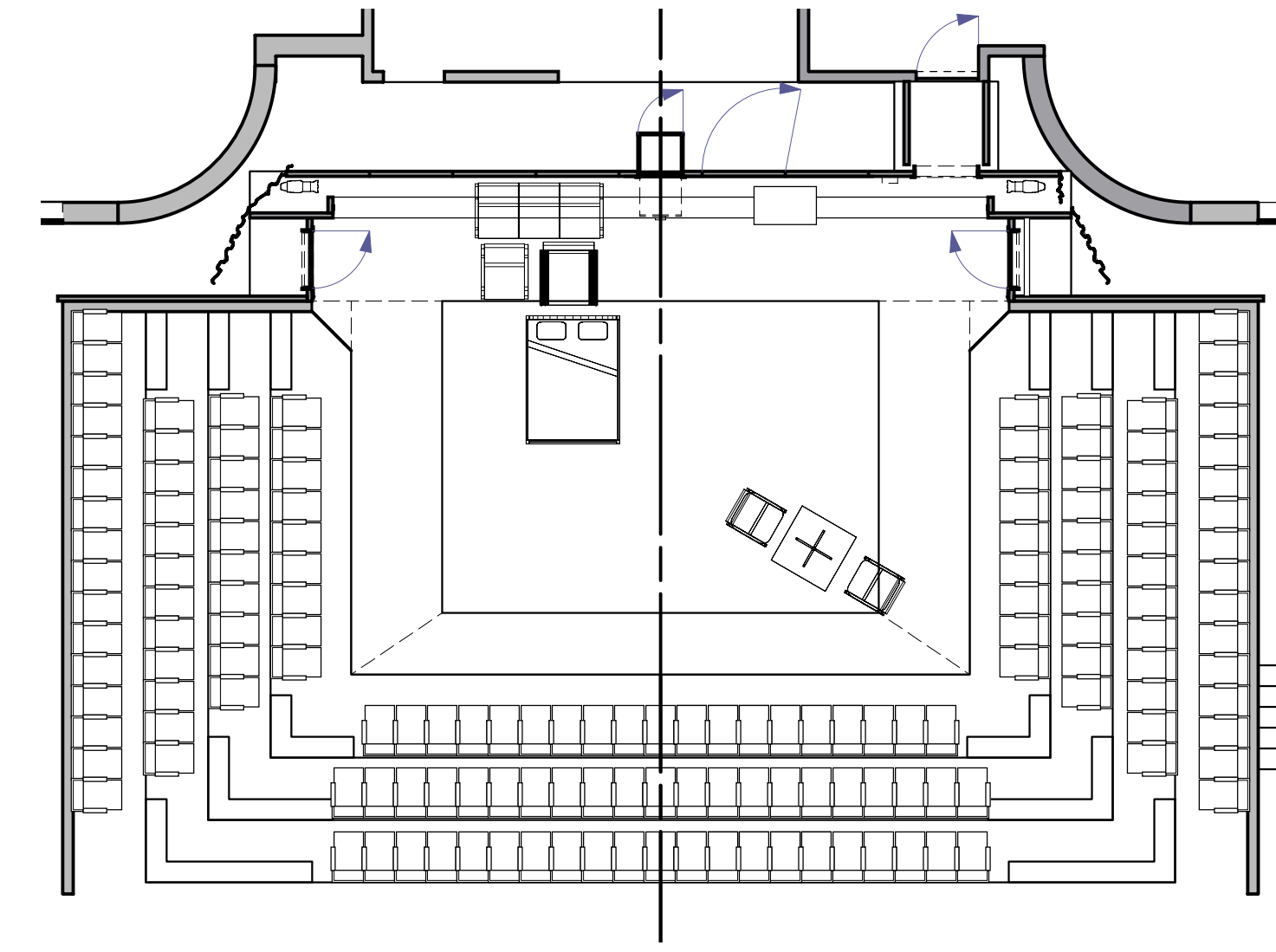
2 DUMBWAITER
Scale: 1/8" = 1'-0"



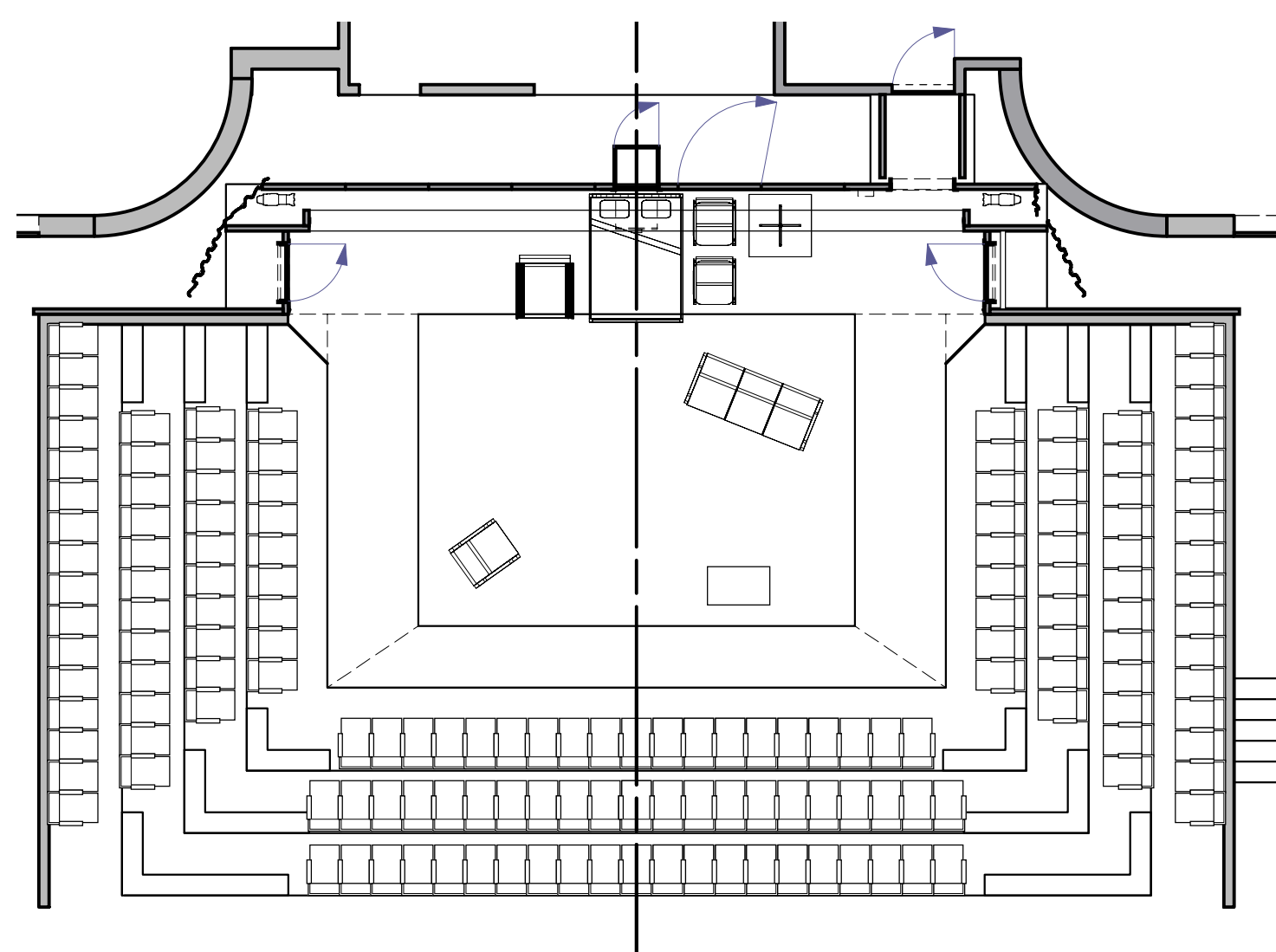
3 BETRAYAL SCENES 1 AND 7
Scale: 1/8" = 1'-0"



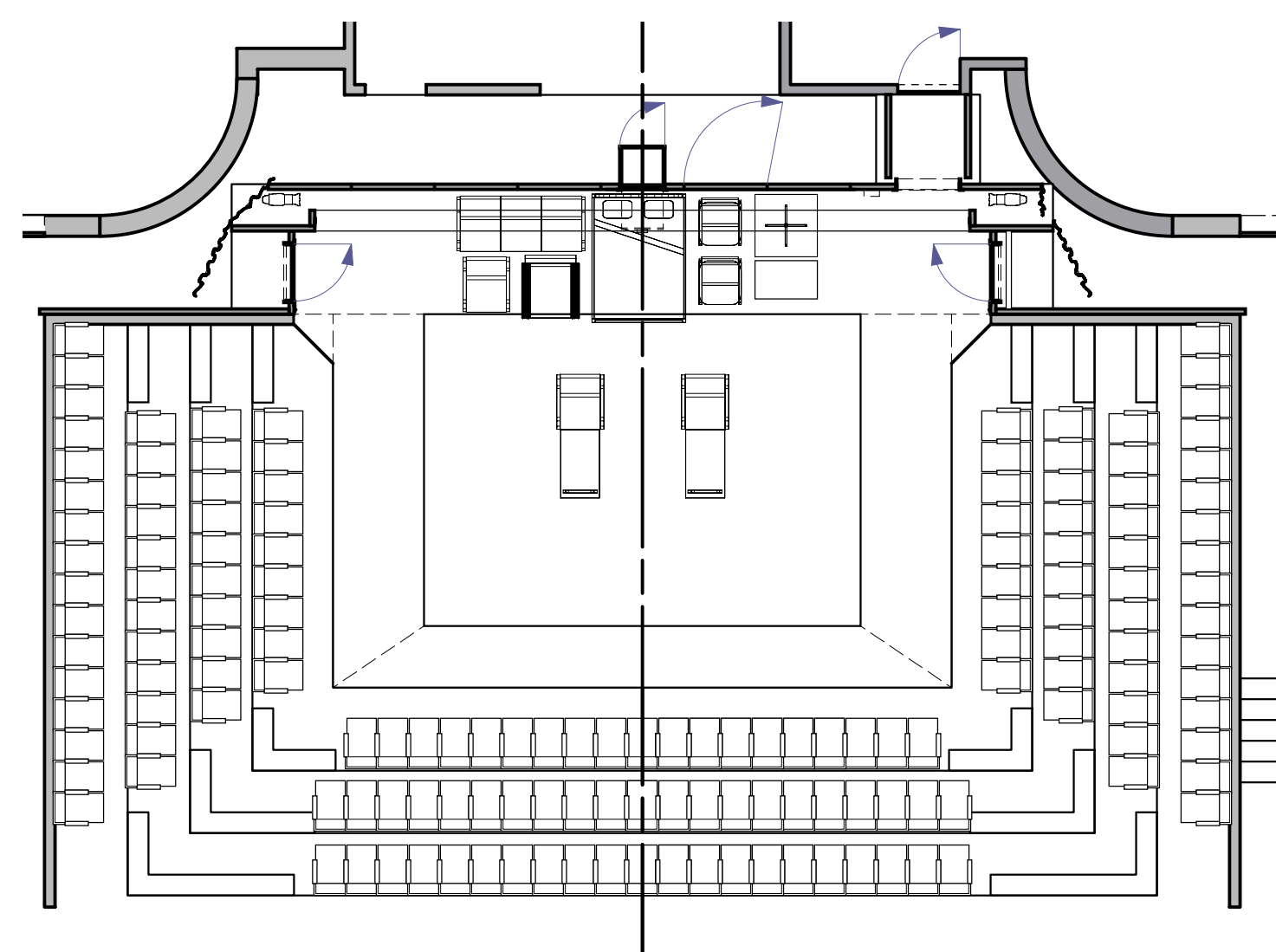
4 BETRAYAL SCENES 2
Scale: 1/8" = 1'-0"



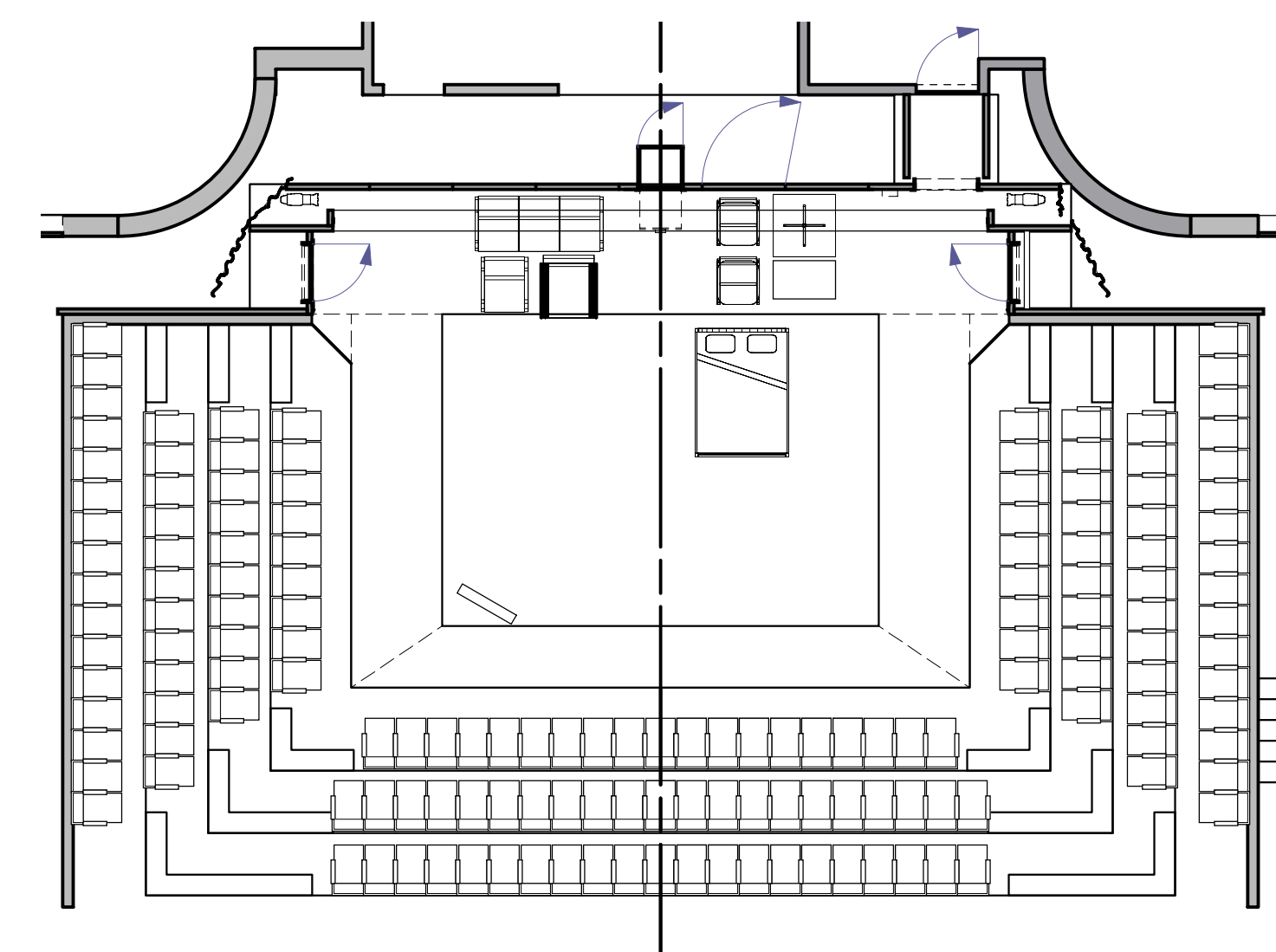
5 BETRAYAL SCENES 3, 6, AND 8
Scale: 1/8" = 1'-0"



6 BETRAYAL SCENE 4
Scale: 1/8" = 1'-0"



7 BETRAYAL SCENE 5
Scale: 1/8" = 1'-0"



8 BETRAYAL SCENE 9
Scale: 1/8" = 1'-0"