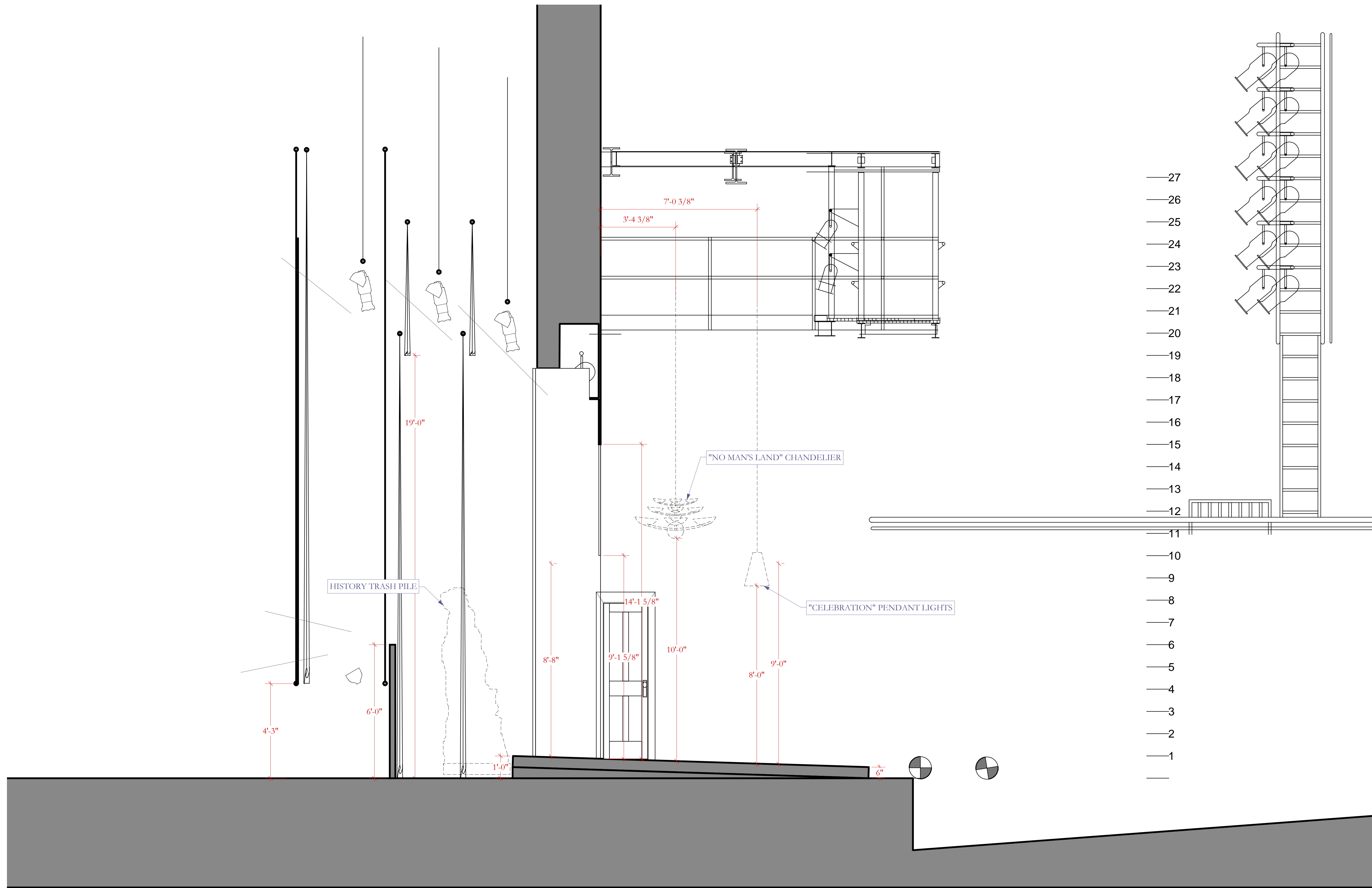


28
27
26
25
24
23
22
21
20
19
18
17—WHITE CYC IN TRIM 4'3"
16—FULL STAGE BLACK IN TRIM 4'3"
15
14
13
12
11
10
9—BLACK SCRIM
8—LEGS
7—BORDER: 19'0" TRIM
6—2E
5
4—LEGS
3—BORDER: 19'0" TRIM
2—1E
1

THE PINTER CELEBRATION
 PRODUCED BY PICT, ARTISTIC DIRECTOR: ANDREW PAUL, PRODUCTION MANAGER: PHIL MADORE, SCENIC DESIGNER: GIANNI DONWS,
 COSTUME DESIGNER: CRYSTAL GOMES, LIGHTING DESIGNERS: JIM FRENCH AND NIKI ELLIS, SOUND DESIGNER: LIZ ATKINSON

1 / 2 " G R O U N D P L A N
 SCALE: 1/2" = 1'-0"

PLATE #:
1
 OF 6
 JUNE 8, 2010
 REVISED
 JUNE 17, 2010



THE PINTER CELEBRATION

PRODUCED BY PICT, ARTISTIC DIRECTOR: ANDREW PAUL, PRODUCTION MANAGER: PHIL MADORE, SCENIC DESIGNER: GIANNI DONWS,
 COSTUME DESIGNER: CRYSTAL GOMES, LIGHTING DESIGNERS: JIM FRENCH AND NIKI ELLIS, SOUND DESIGNER: LIZ ATKINSON

1 / 2 " CENTER LINE SECTION

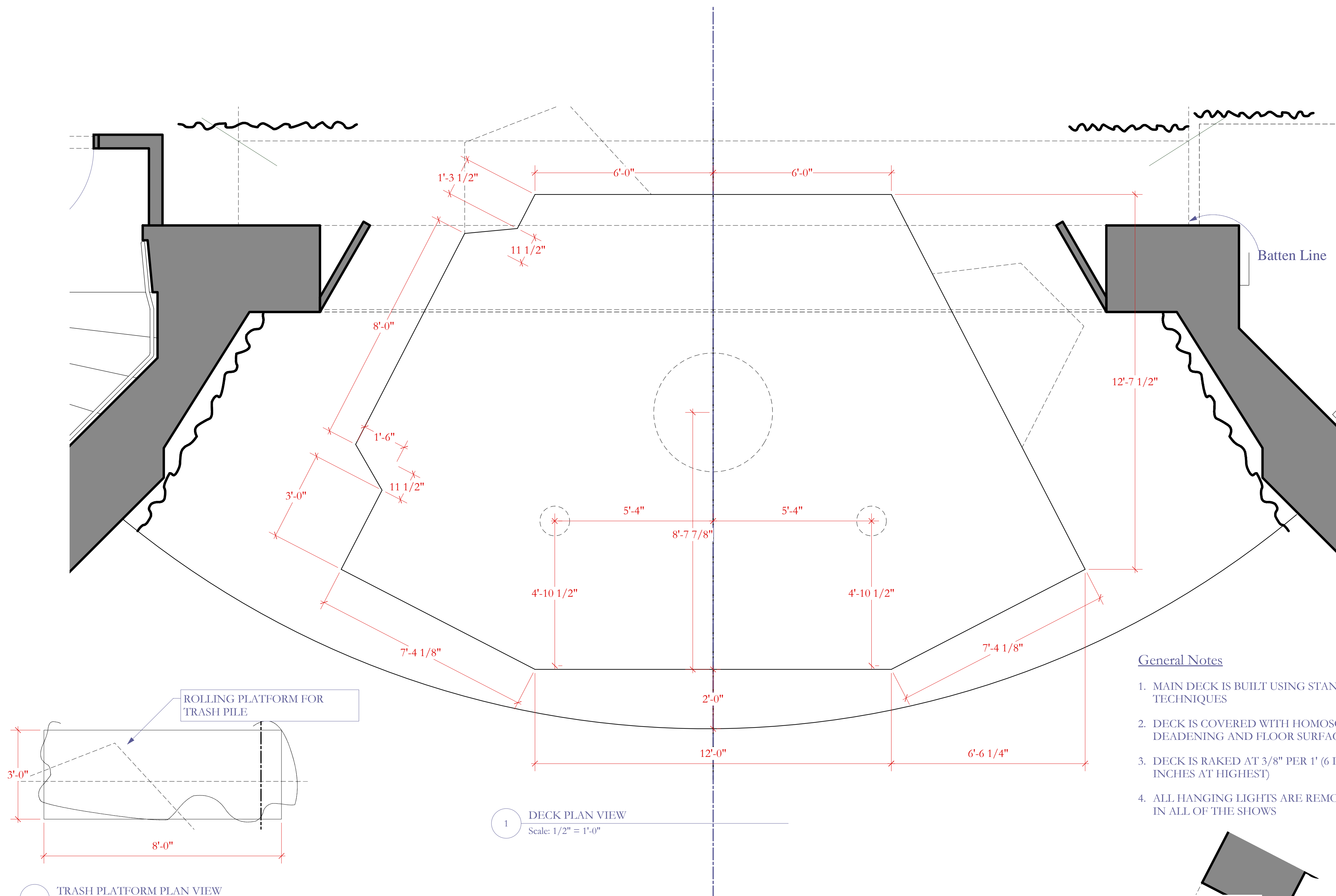
SCALE: 1/2" = 1'-0"

PLATE #:

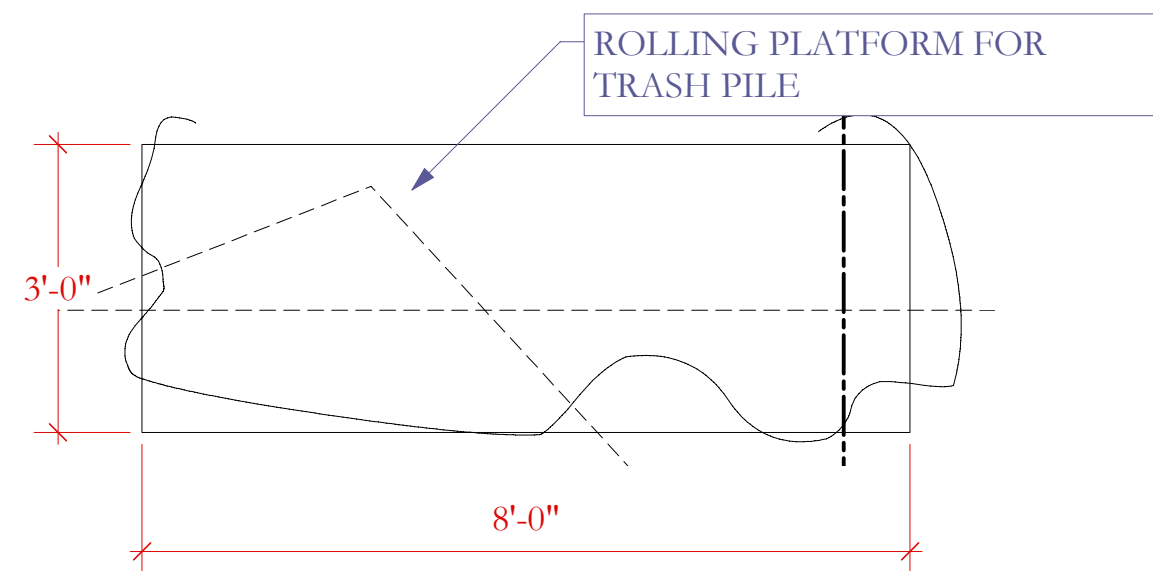
2

OF 6

JUNE 8, 2010
 REVISED
 JUNE 17, 2010



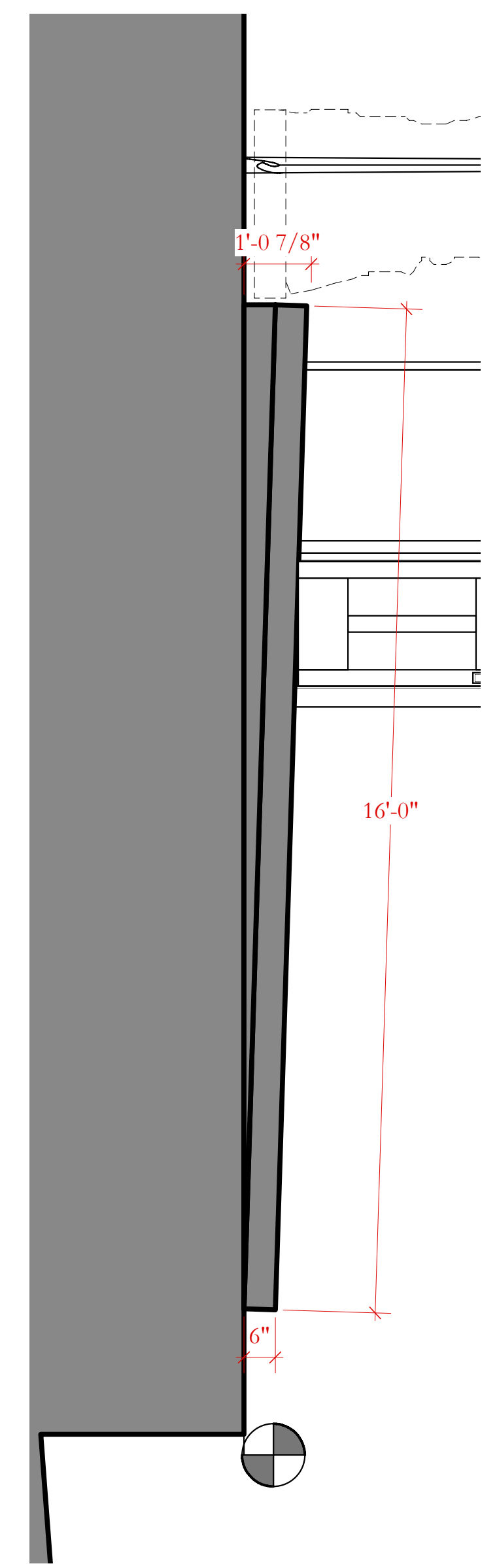
1 DECK PLAN VIEW
Scale: 1/2" = 1'-0"



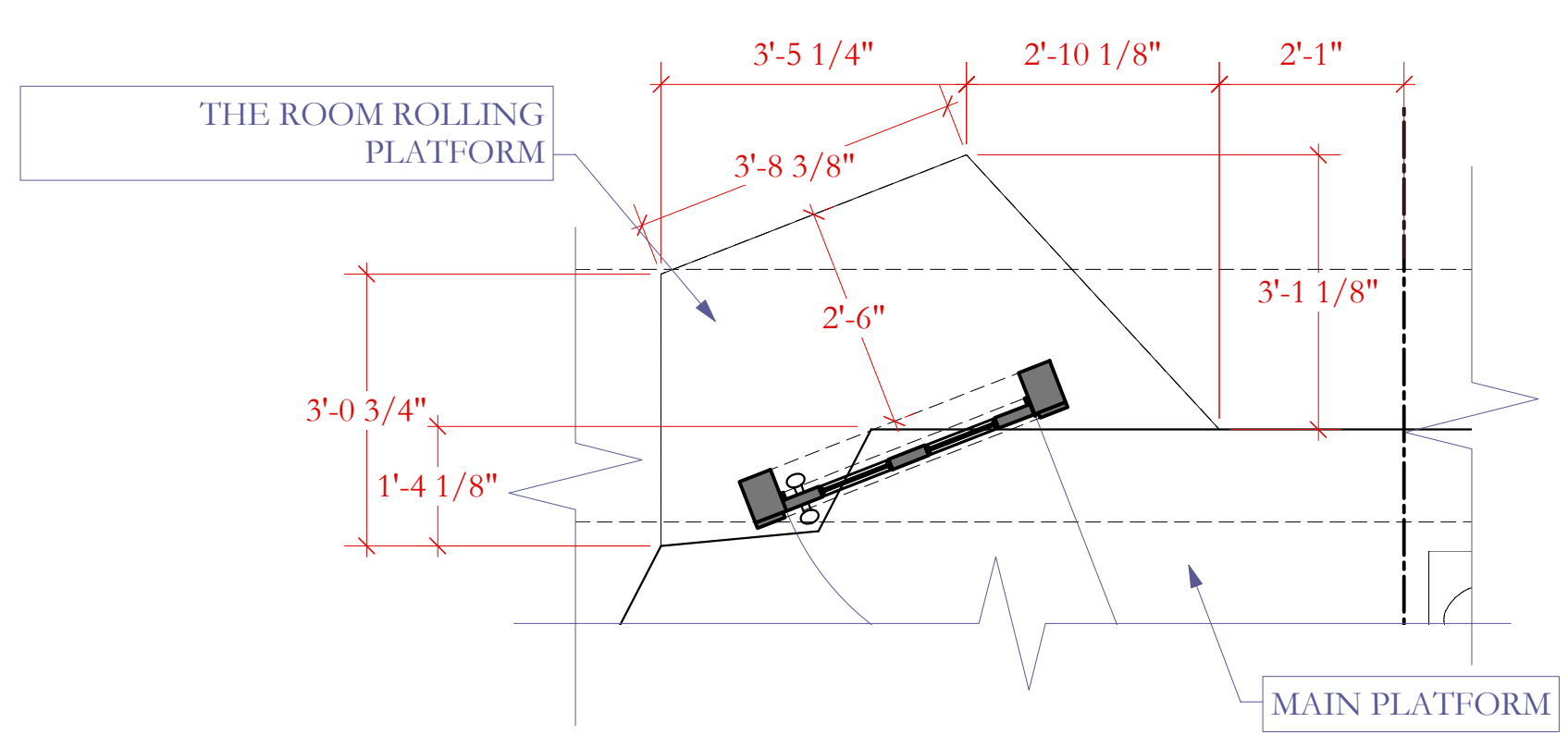
3 TRASH PLATFORM PLAN VIEW
Scale: 1/2" = 1'-0"

General Notes

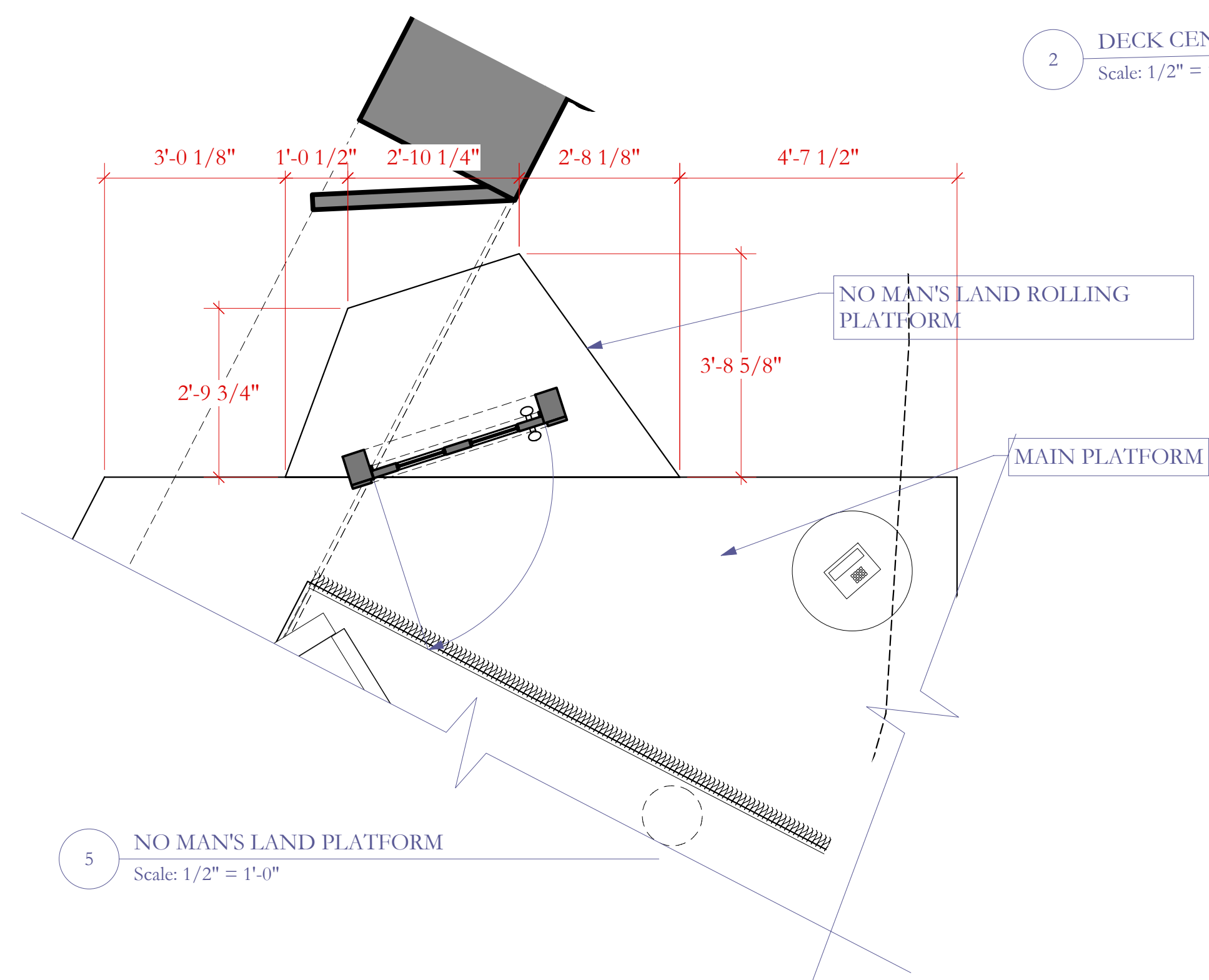
1. MAIN DECK IS BUILT USING STANDARD THEATRE CONSTRUCTION TECHNIQUES
2. DECK IS COVERED WITH HOMOSOTE AND MASONITE FOR SOUND DEADENING AND FLOOR SURFACING
3. DECK IS RAKED AT 3/8" PER 1' (6 INCHES AT LOWEST, AND 12 INCHES AT HIGHEST)
4. ALL HANGING LIGHTS ARE REMOVABLE AS THEY ARE NOT USED IN ALL OF THE SHOWS



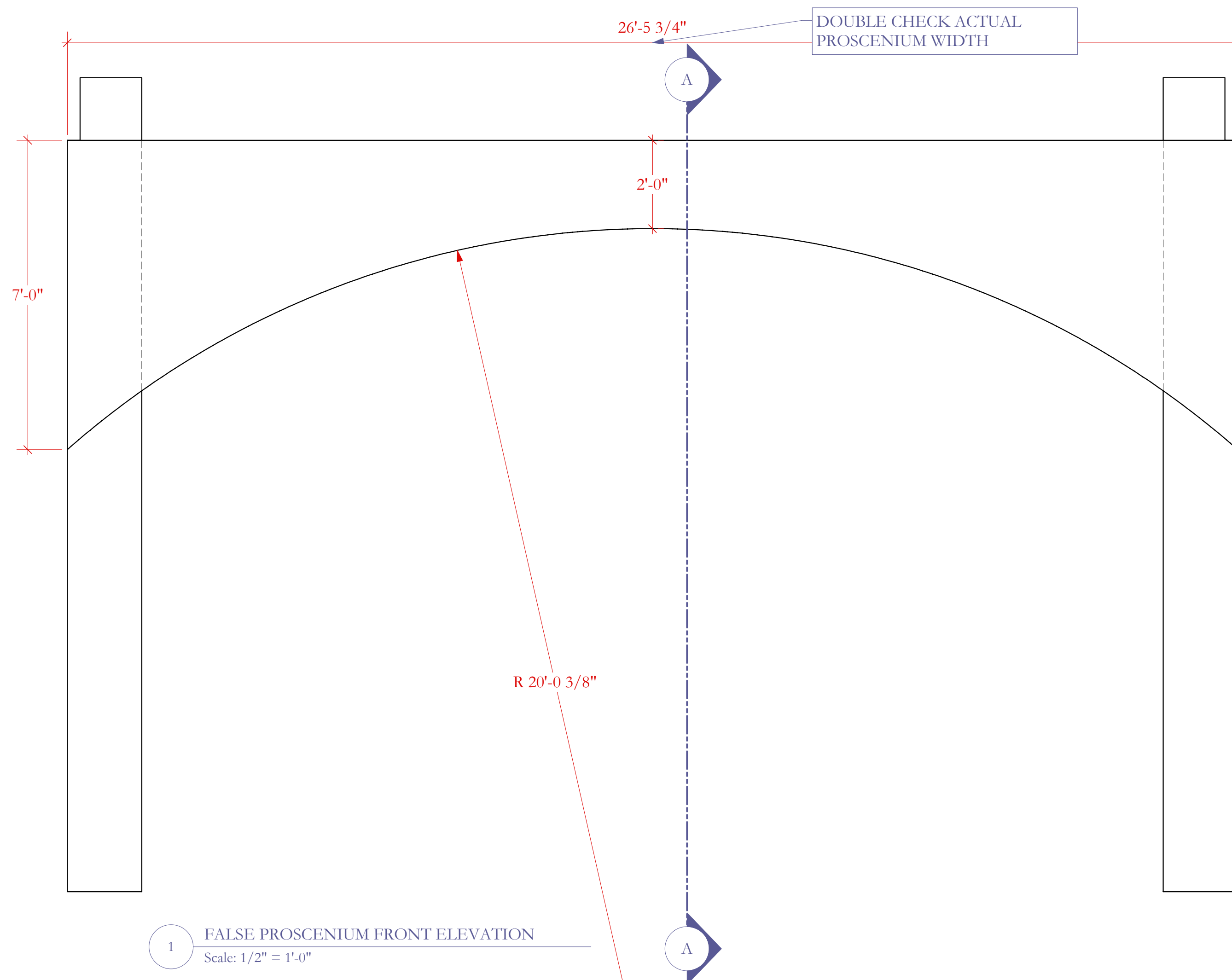
2 DECK CENTER SECTION VIEW
Scale: 1/2" = 1'-0"



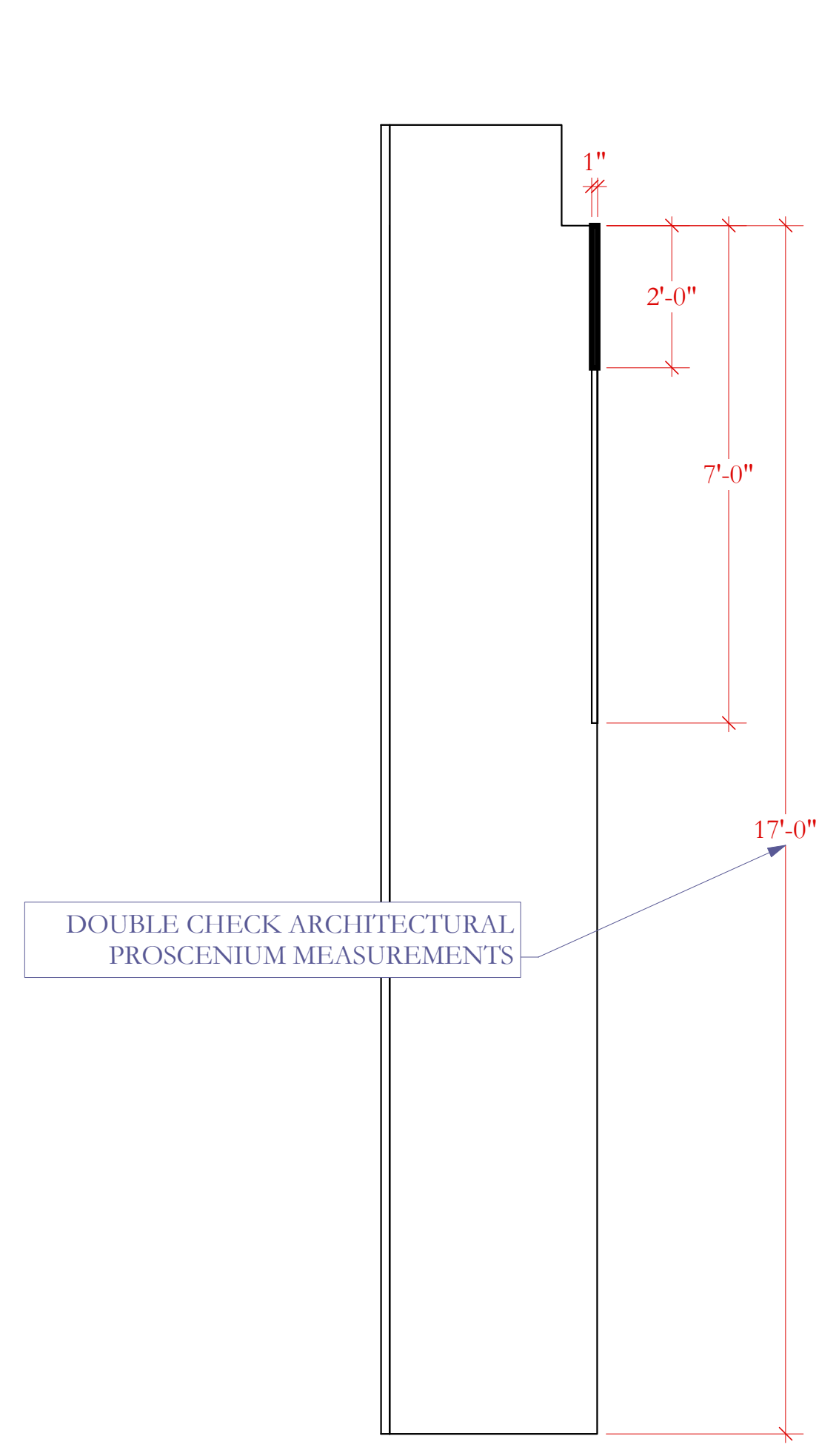
4 THE ROOM DOOR PLATFORM
Scale: 1/2" = 1'-0"



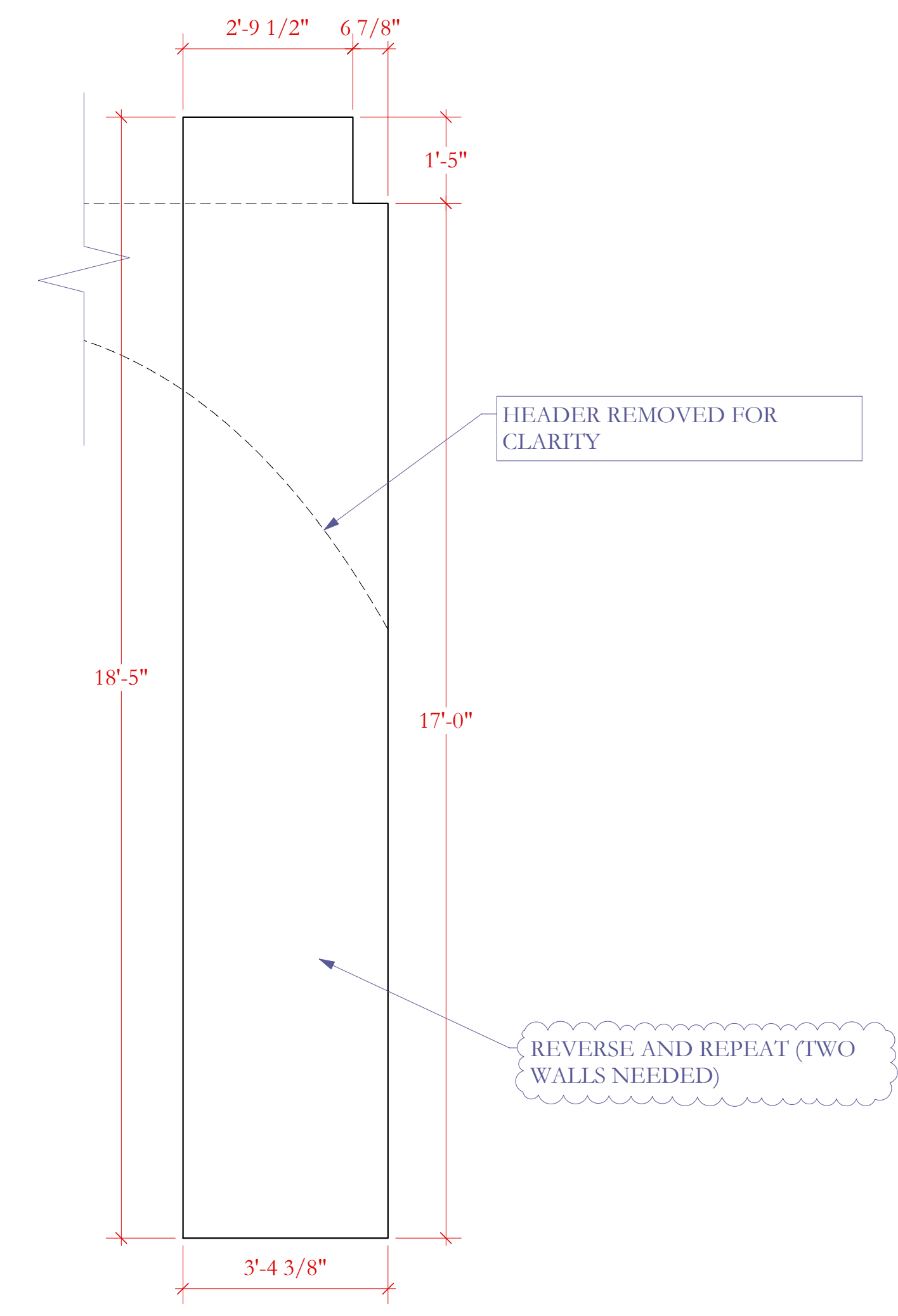
5 NO MAN'S LAND PLATFORM
Scale: 1/2" = 1'-0"



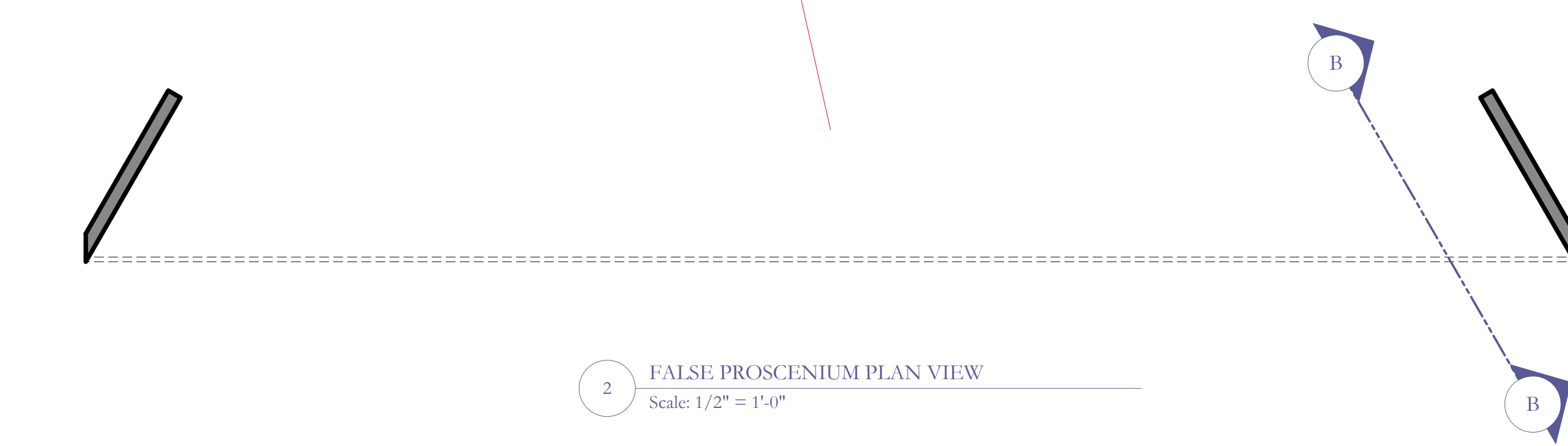
1 FALSE PROSCENIUM FRONT ELEVATION
Scale: 1/2" = 1'-0"



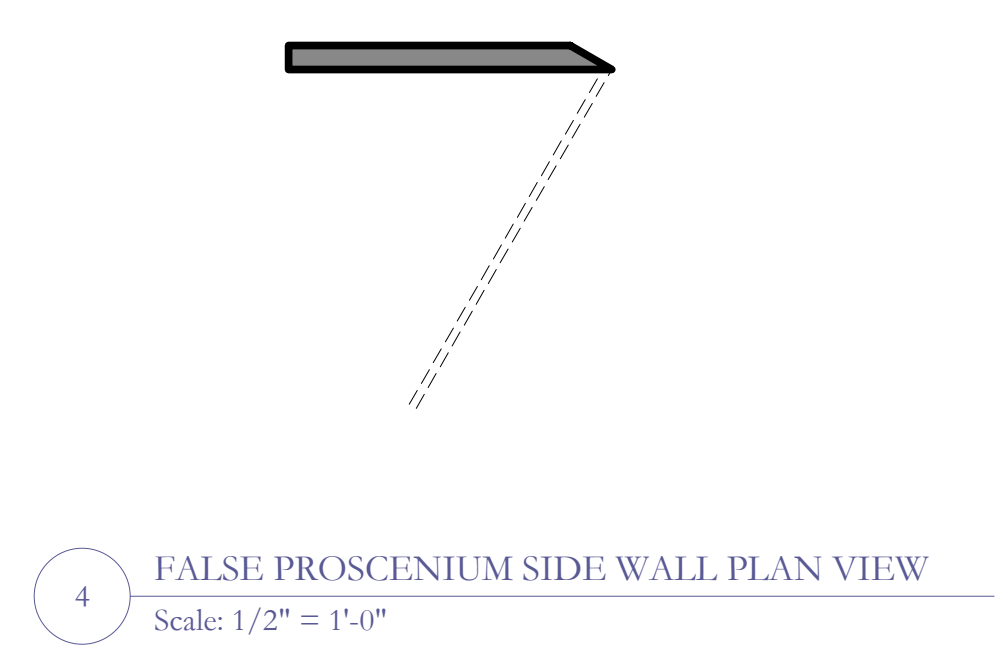
3 SECTION "A-A": FALSE PROSCENIUM SECTION VIEW
Scale: 1/2" = 1'-0"



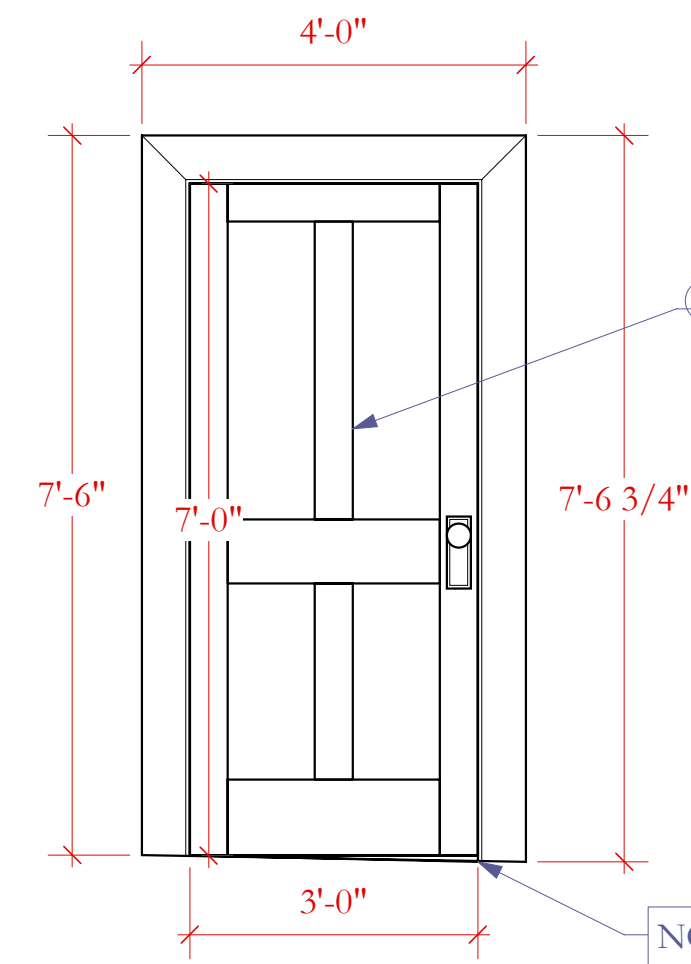
4 SECTION "B-B": FALSE PROSCENIUM SIDE WALL ELEVATION VIEW
Scale: 1/2" = 1'-0"



2 FALSE PROSCENIUM PLAN VIEW
Scale: 1/2" = 1'-0"

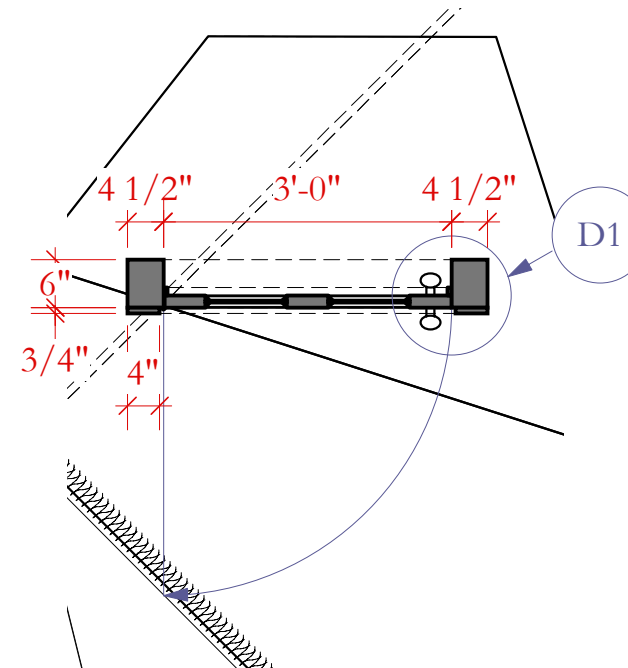


4 FALSE PROSCENIUM SIDE WALL PLAN VIEW
Scale: 1/2" = 1'-0"

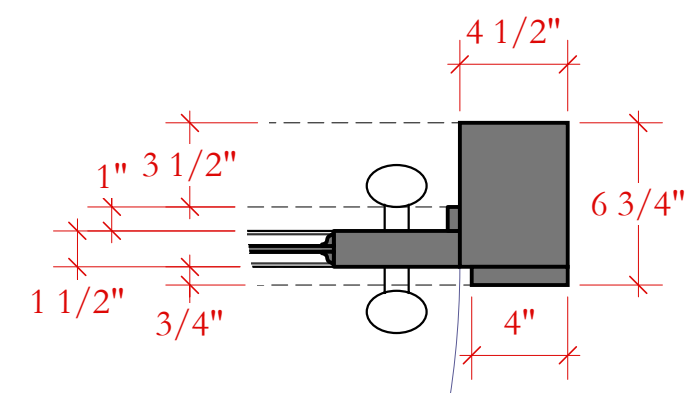


1 DOOR ELEVATION VIEW
Scale: 1/2" = 1'-0"

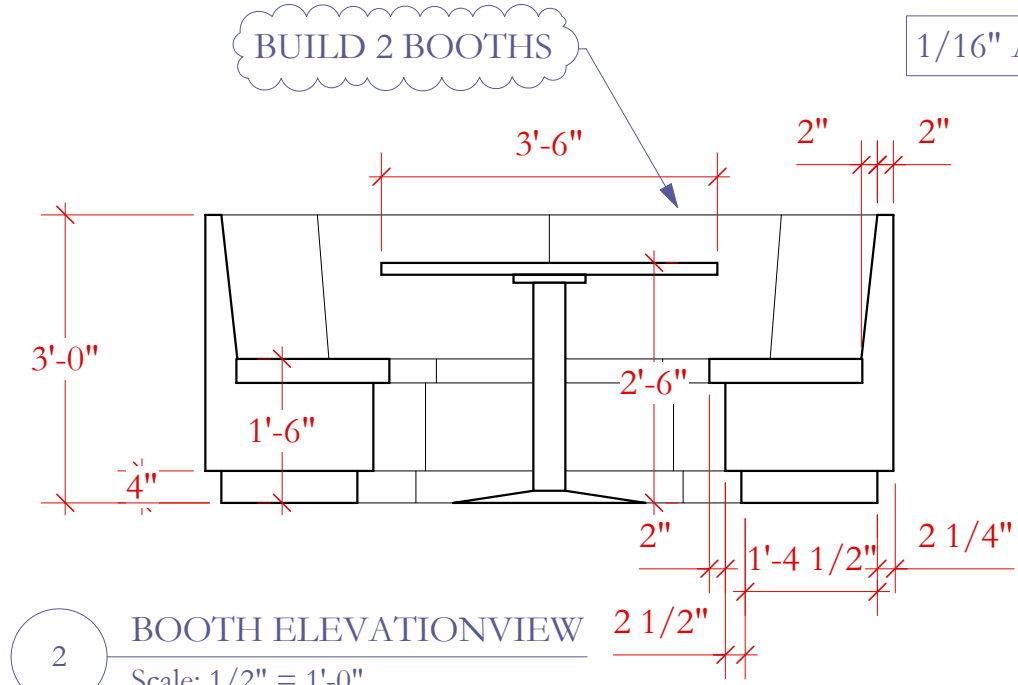
NOTE: BUILT ON RAKE (COMPOUND)



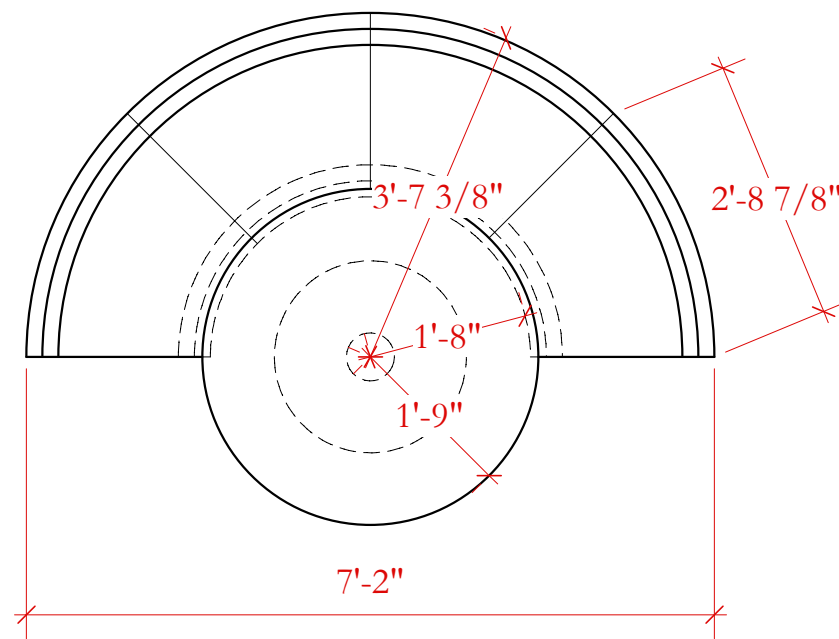
1 FREE STANDING DOOR PLAN VIEW
Scale: 1/2" = 1'-0"



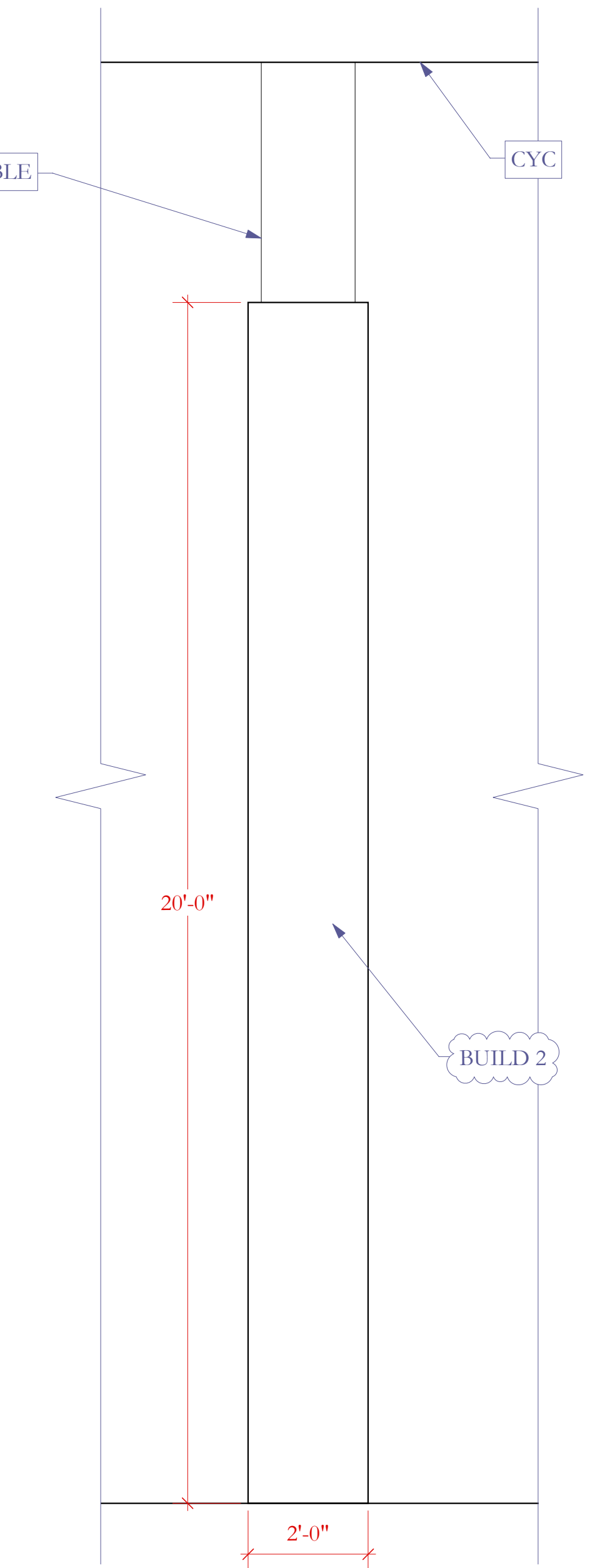
D1 DETAIL 1: DOOR SUPPORT
Scale: 1 1/2" = 1'-0"



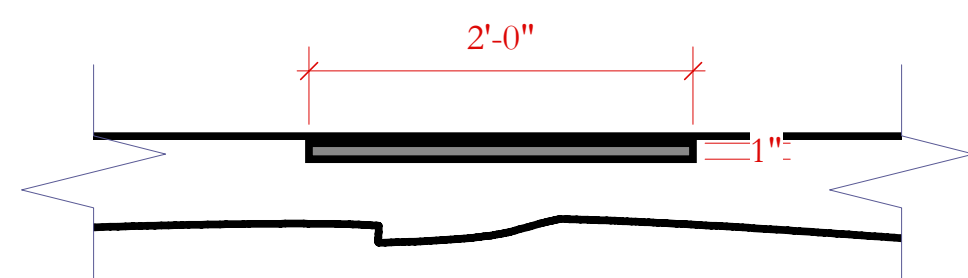
2 BOOTH ELEVATION VIEW
Scale: 1/2" = 1'-0"



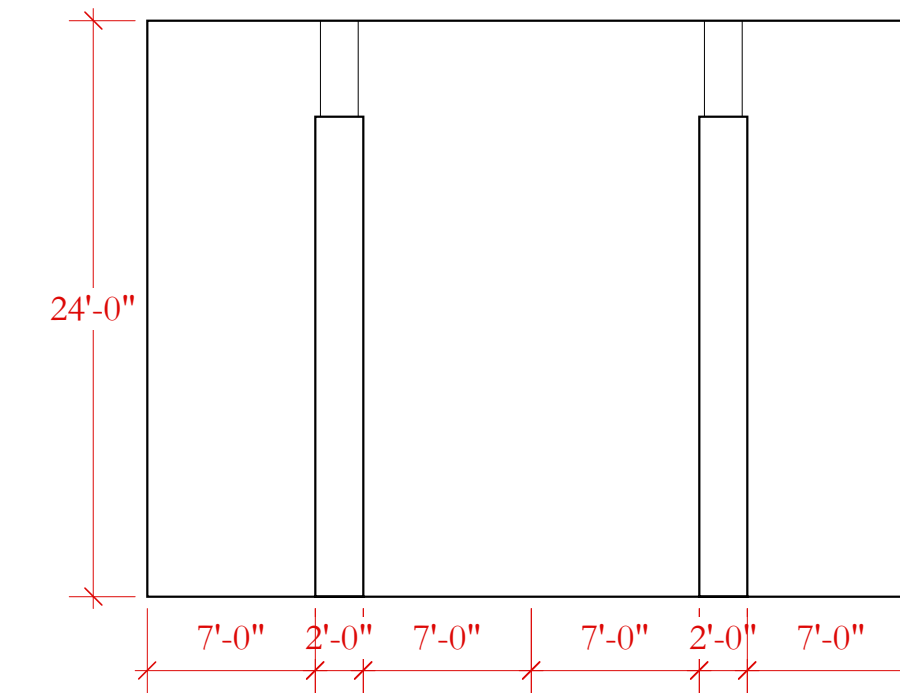
2 BOOTH PLAN VIEW
Scale: 1/2" = 1'-0"



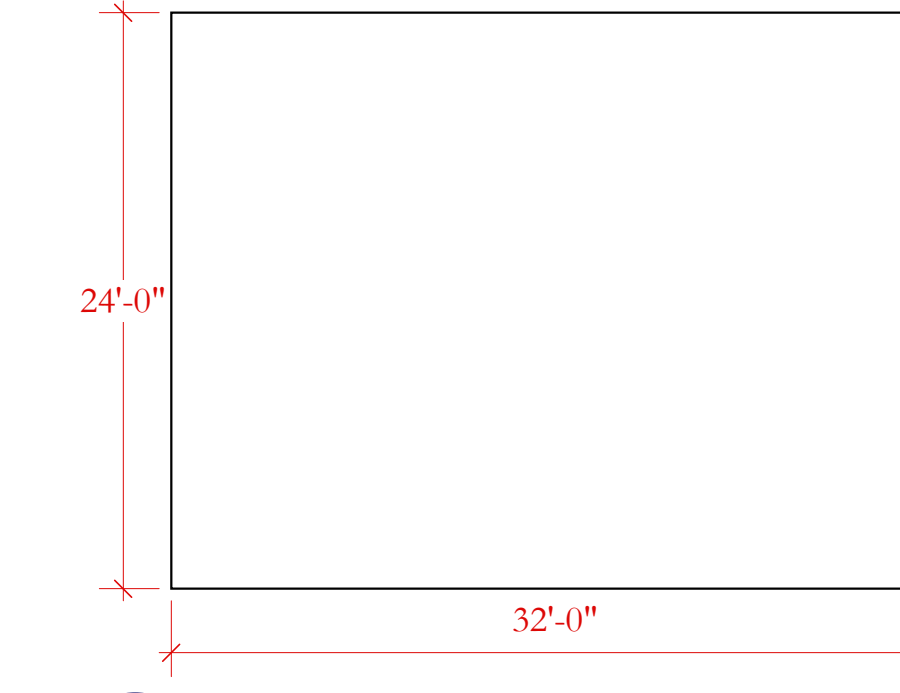
4 CYC PYLONS ELEVATION VIEW
Scale: 1/2" = 1'-0"



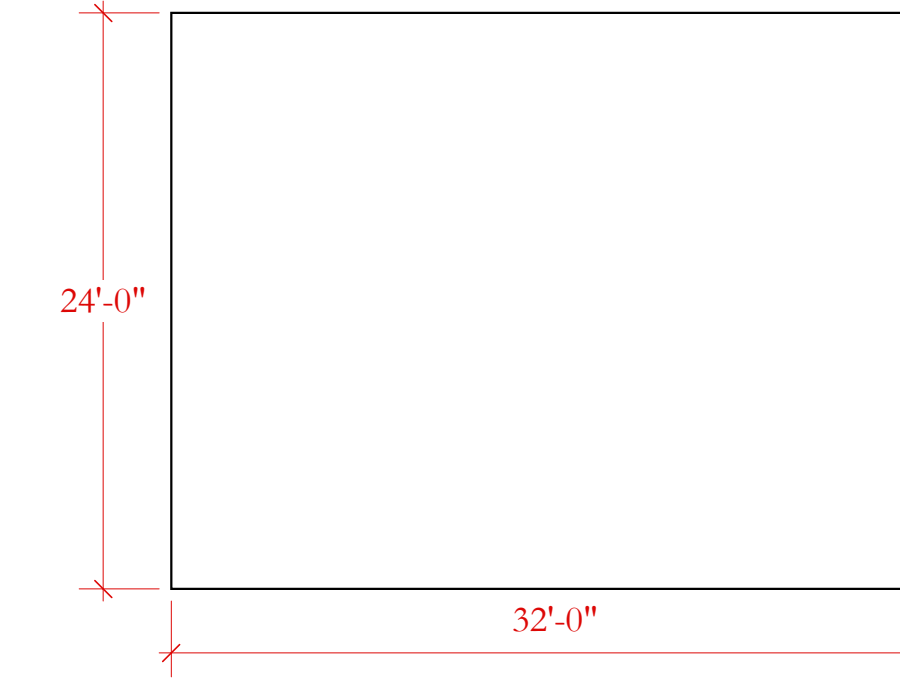
4 PYLONS PLAN VIEW
Scale: 1" = 1'-0"



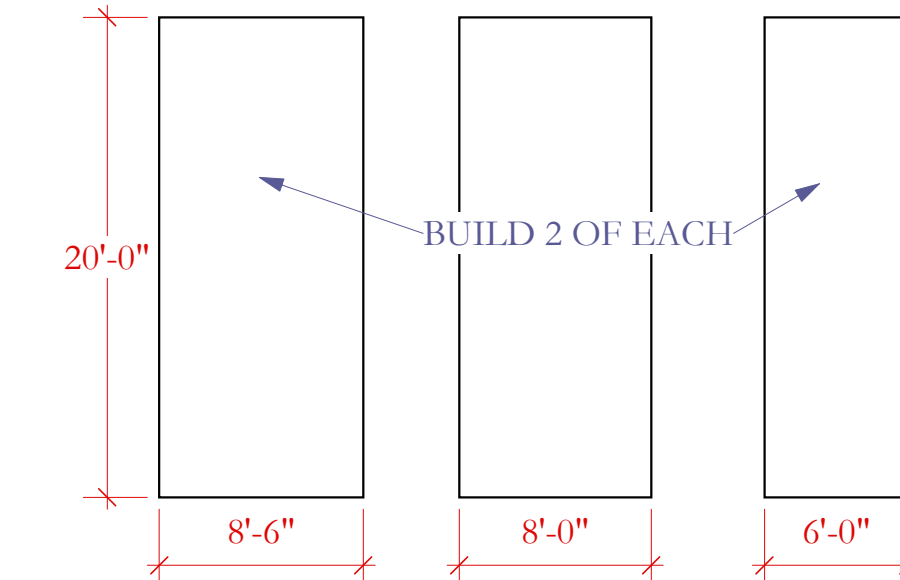
5 WHITE CYC AND PYLONS ELEVATION VIEW
Scale: 1/8" = 1'-0"



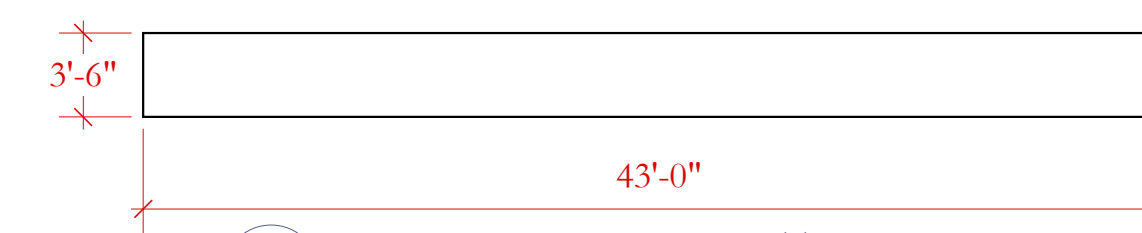
6 FULL STAGE BLACK MASKING ELEVATION VIEW
Scale: 1/8" = 1'-0"



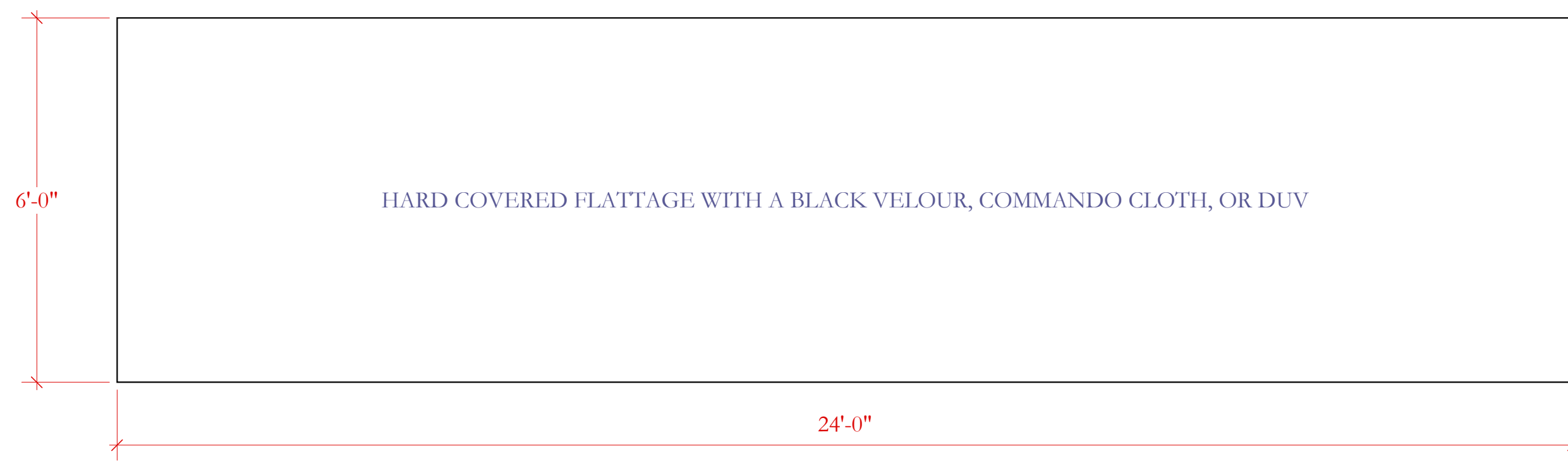
7 BLACK SCRIM ELEVATION VIEW
Scale: 1/8" = 1'-0"



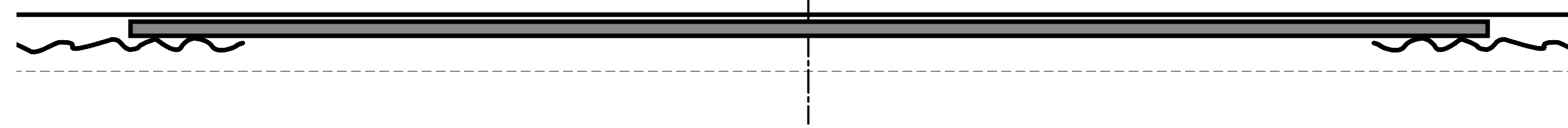
8 LEG MASKING ELEVATION VIEW
Scale: 1/8" = 1'-0"



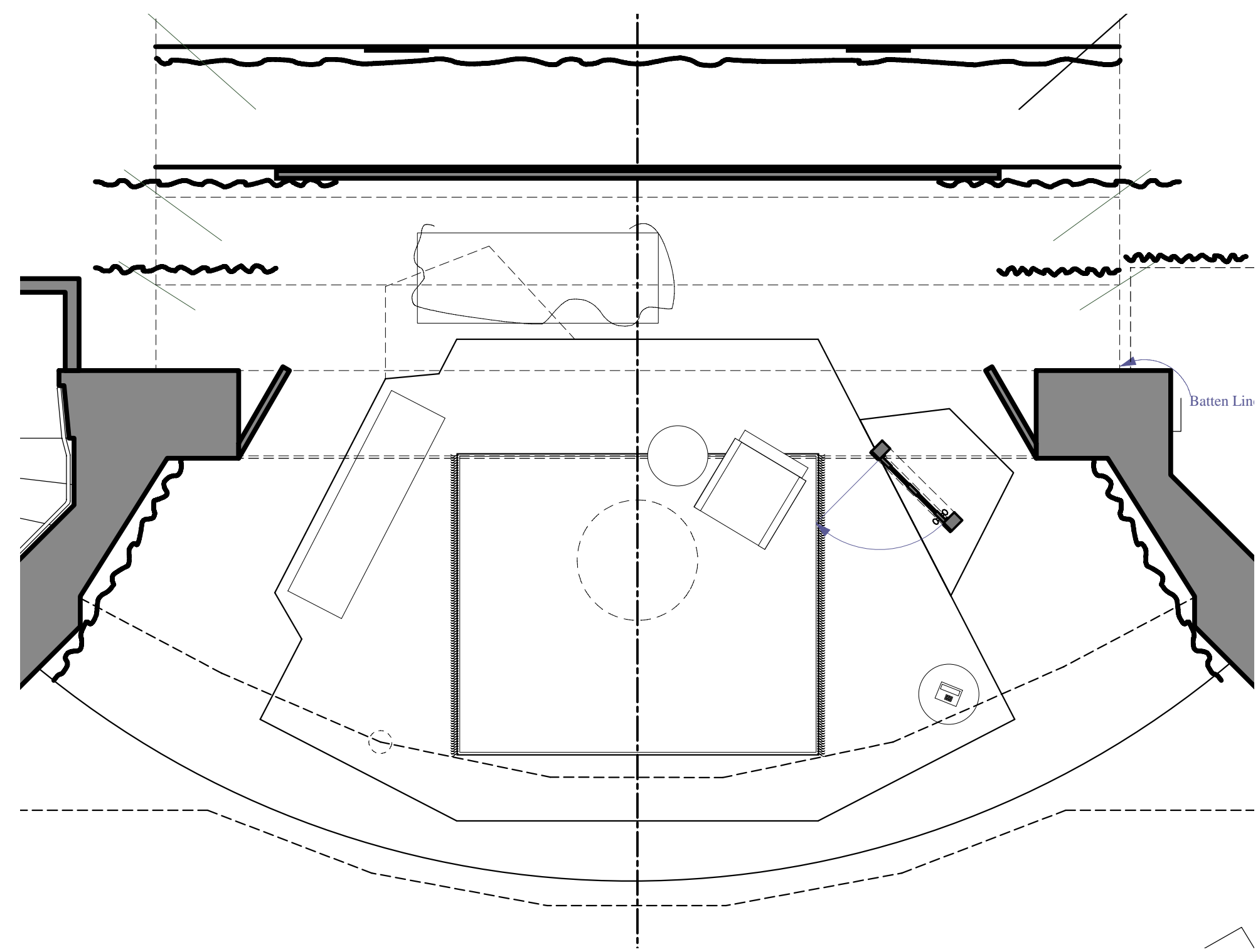
9 APRON MASKING ELEVATION VIEW
Scale: 1/8" = 1'-0"



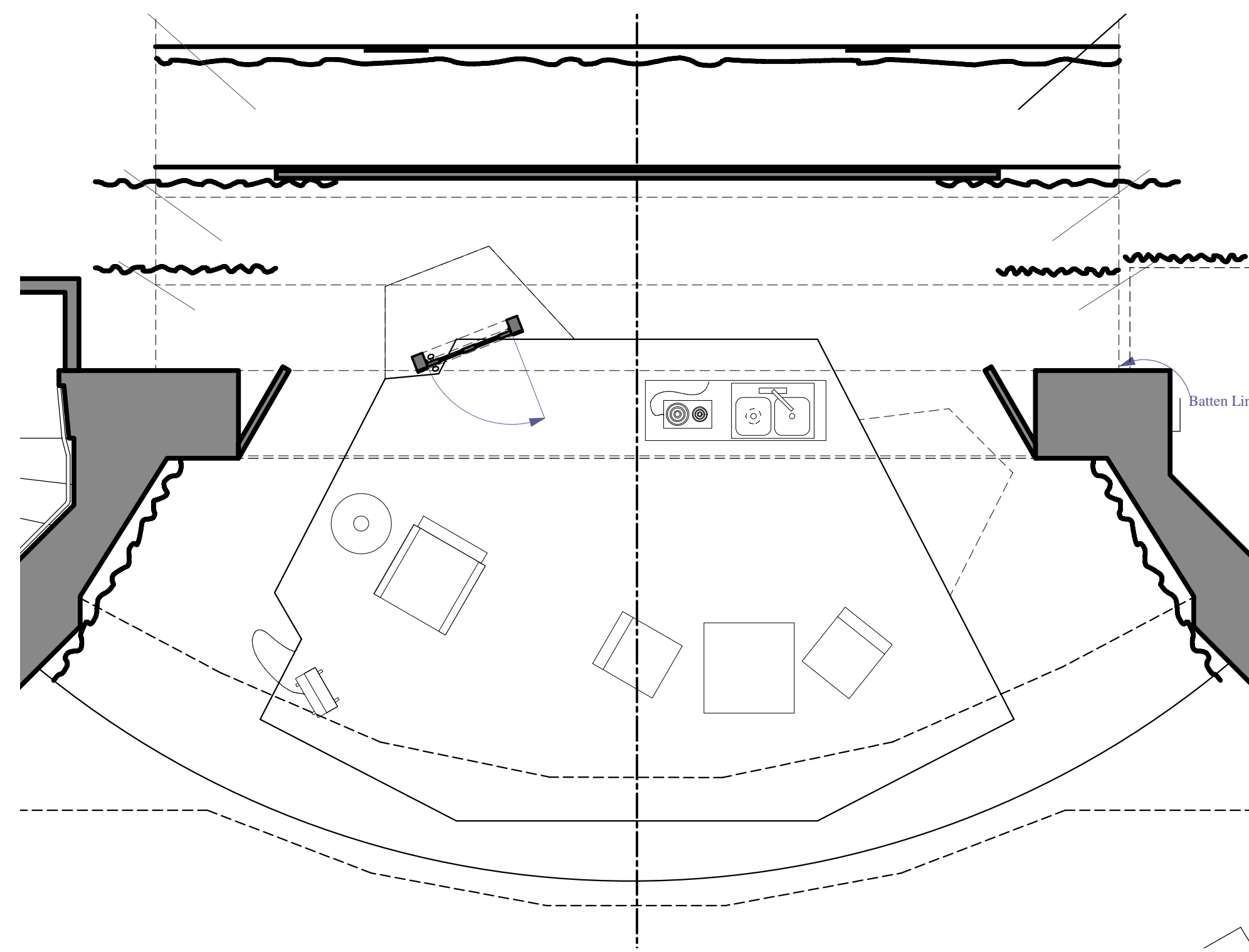
3 GROUND ROW ELEVATION VIEW
Scale: 1/2" = 1'-0"



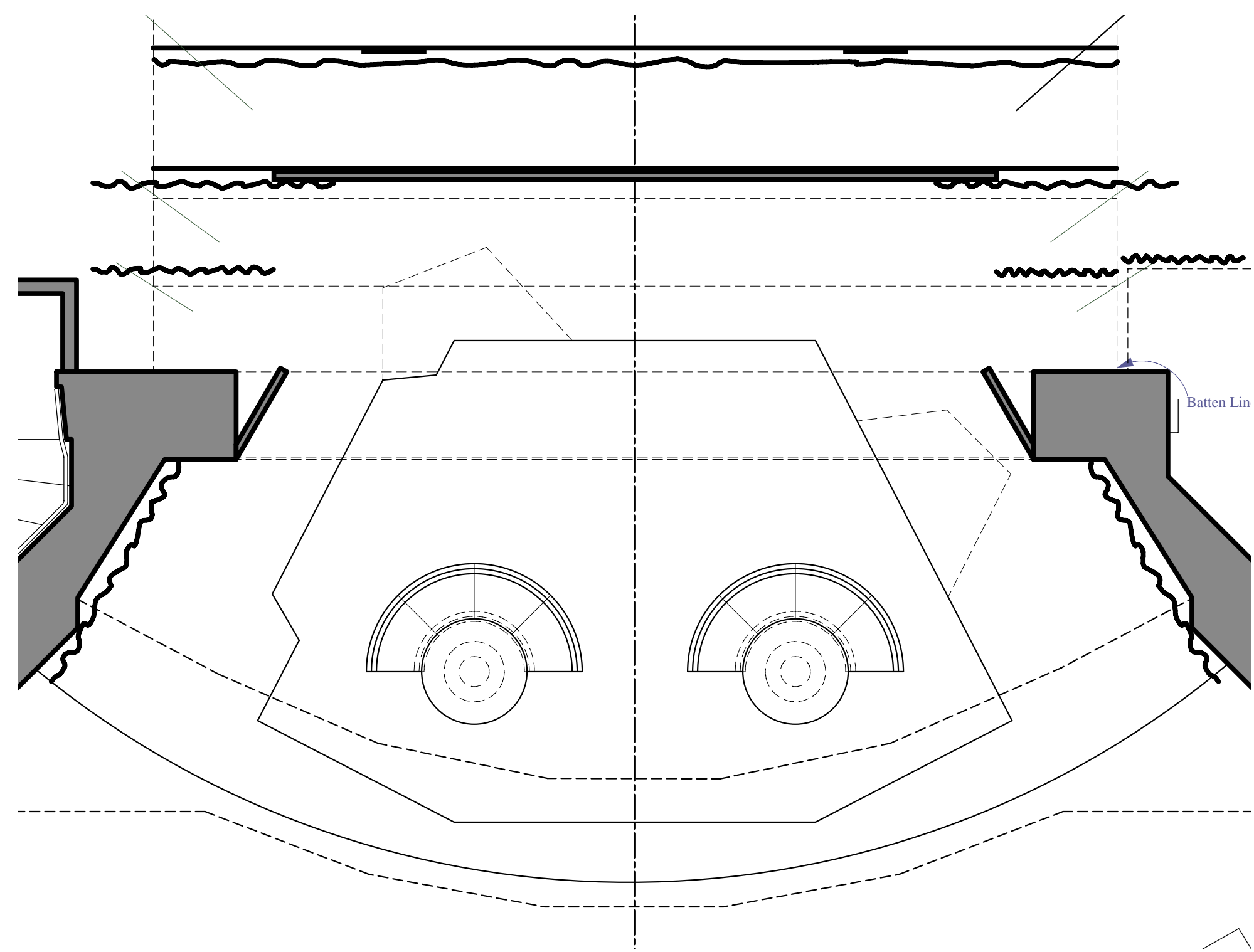
3 GROUND ROW PLAN VIEW
Scale: 1/2" = 1'-0"



1 NO MAN'S LAND
Scale: 1/4" = 1'-0"



2 THE ROOM
Scale: 1/4" = 1'-0"



3 CELEBRATION
Scale: 1/4" = 1'-0"