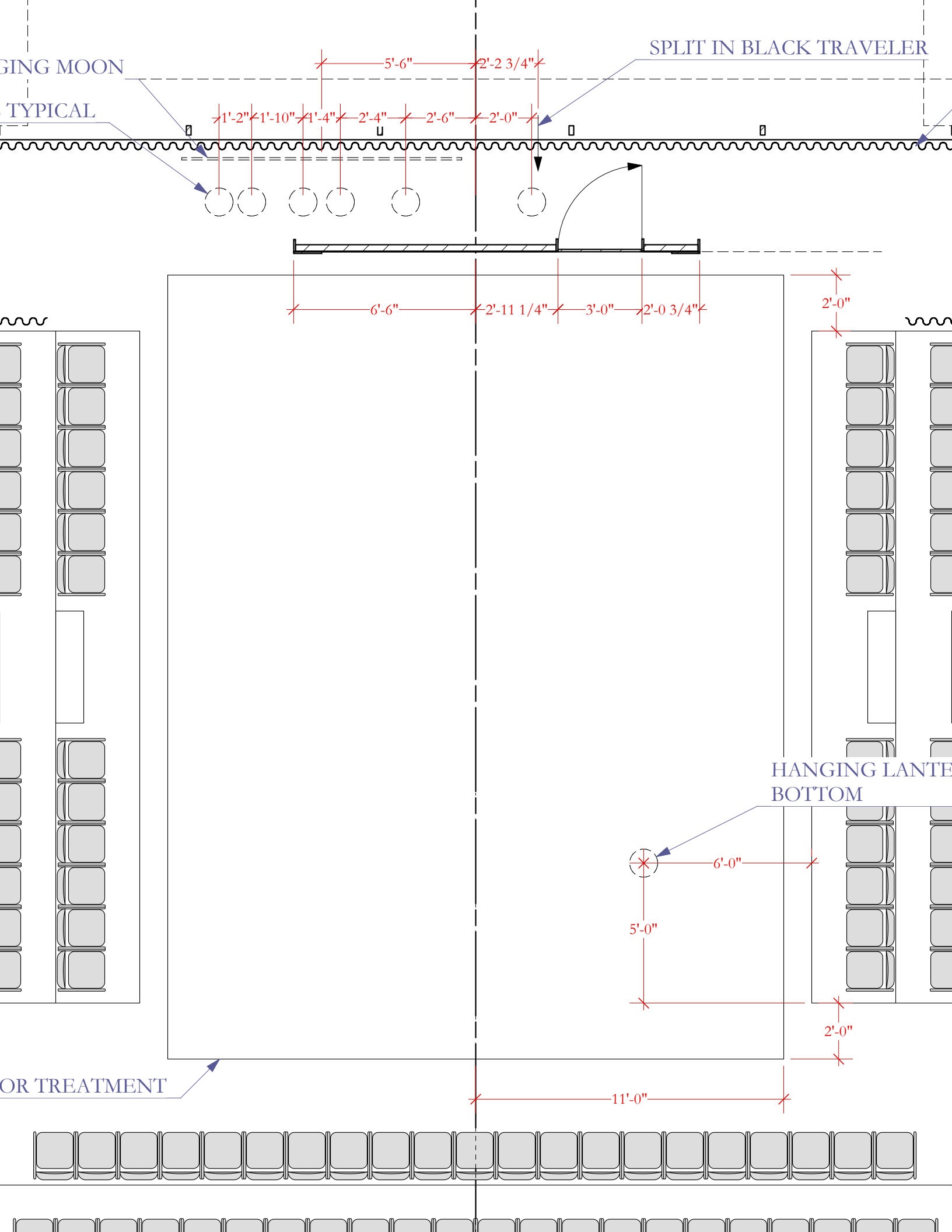


HANGING MOON

TYPICAL

SPLIT IN BLACK TRAVELER



OR TREATMENT

HANGING LANTER
BOTTOM

6'-0"

5'-0"

11'-0"

2'-0"

2'-0"

2'-0"

6'-6"

2'-11 1/4"

3'-0"

2'-0 3/4"

5'-6"

2'-2 3/4"

1'-2"

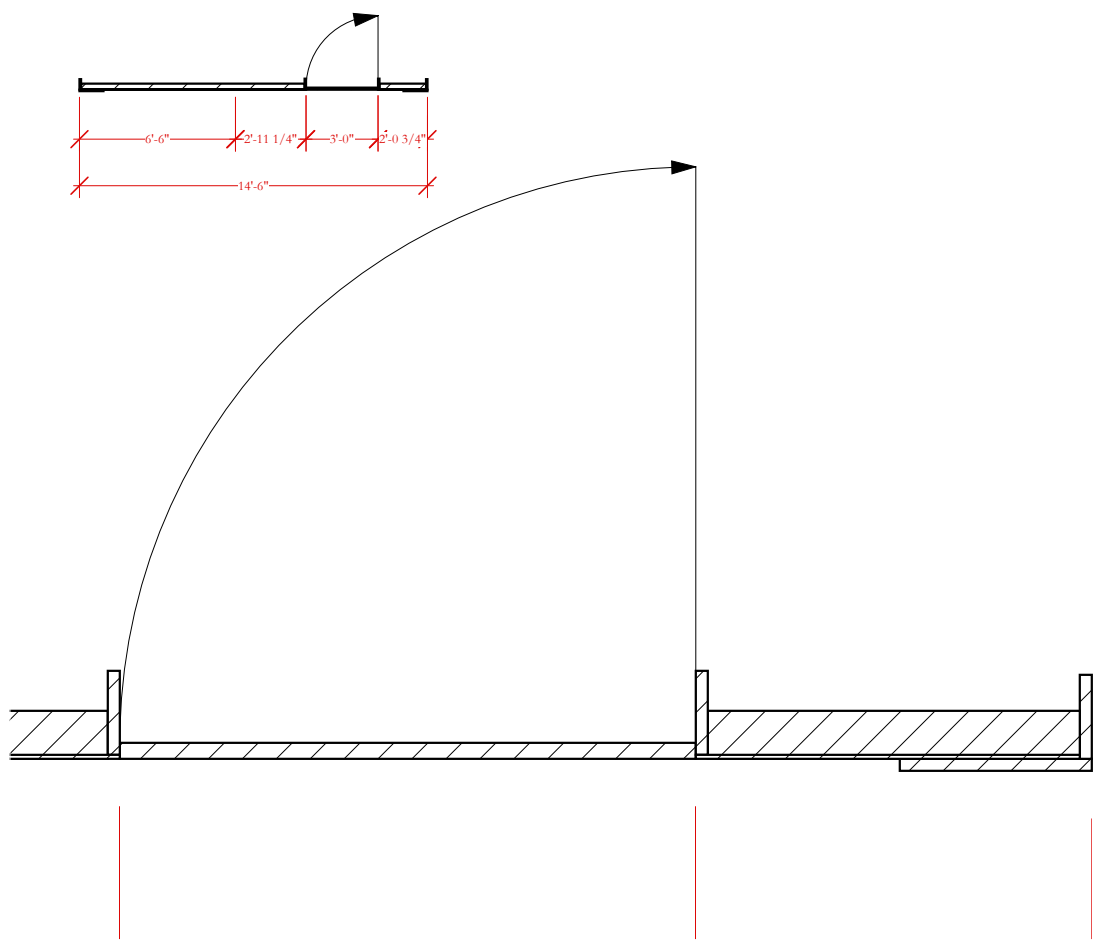
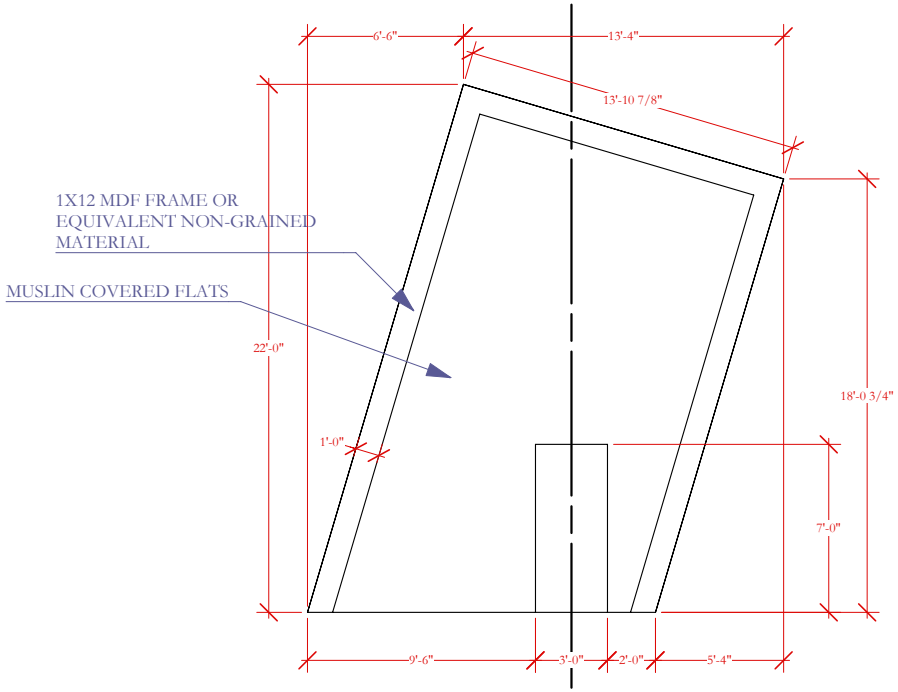
1'-10"

1'-4"

2'-4"

2'-6"

2'-0"



2 MDF FRAME OR
EQUIVALENT NON-GRAINED
MATERIAL
COVERED FLATS

