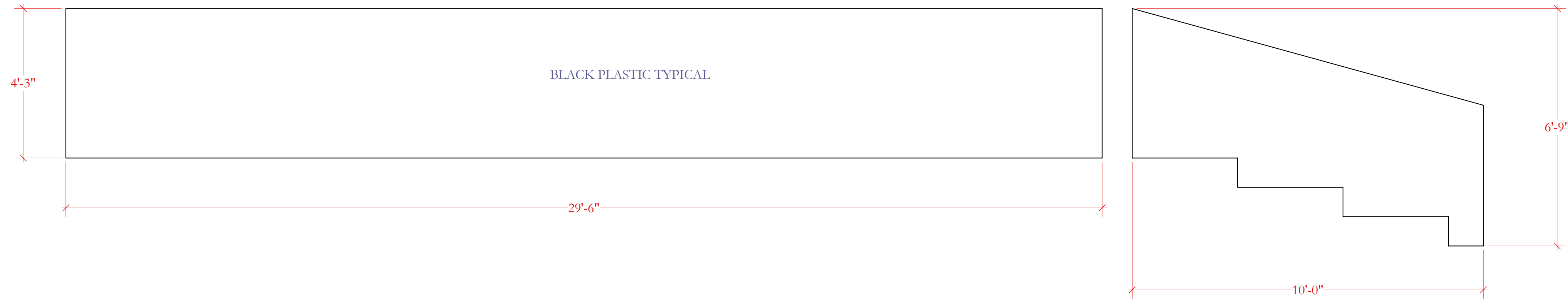


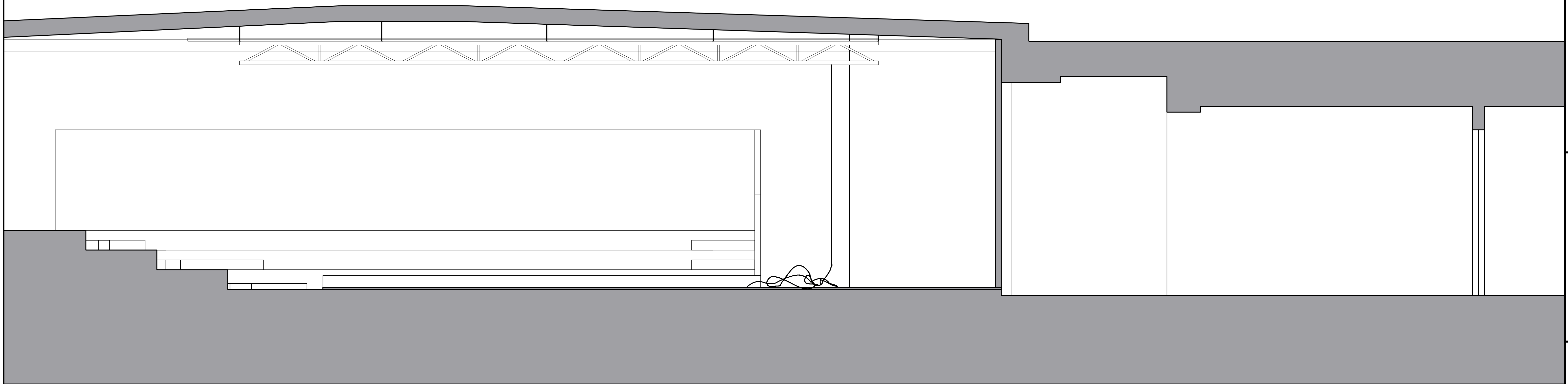
<p>CRIME AND PUNISHMENT PITTSBURGH IRISH AND CLASSICAL THEATRE, ARTISTIC DIRECTOR: ANDREW PAUL DIRECTED BY MATT GRAY, PRODUCTION MANAGER: PHIL MADDORE, TECHNICAL DIRECTOR: PAUL BISTRICAN</p>	
<p>DESIGNER: GIANNI DOWNS 412-779-7498 GIANNIDOWNS@GMAIL.COM WWW.GIANNIDESIGNS.NET</p>	<p>DRAFTED: AUGUST 9, 2009 REVISED ON:</p>
<p>PLATE:</p>	<p>1 OF 4</p>



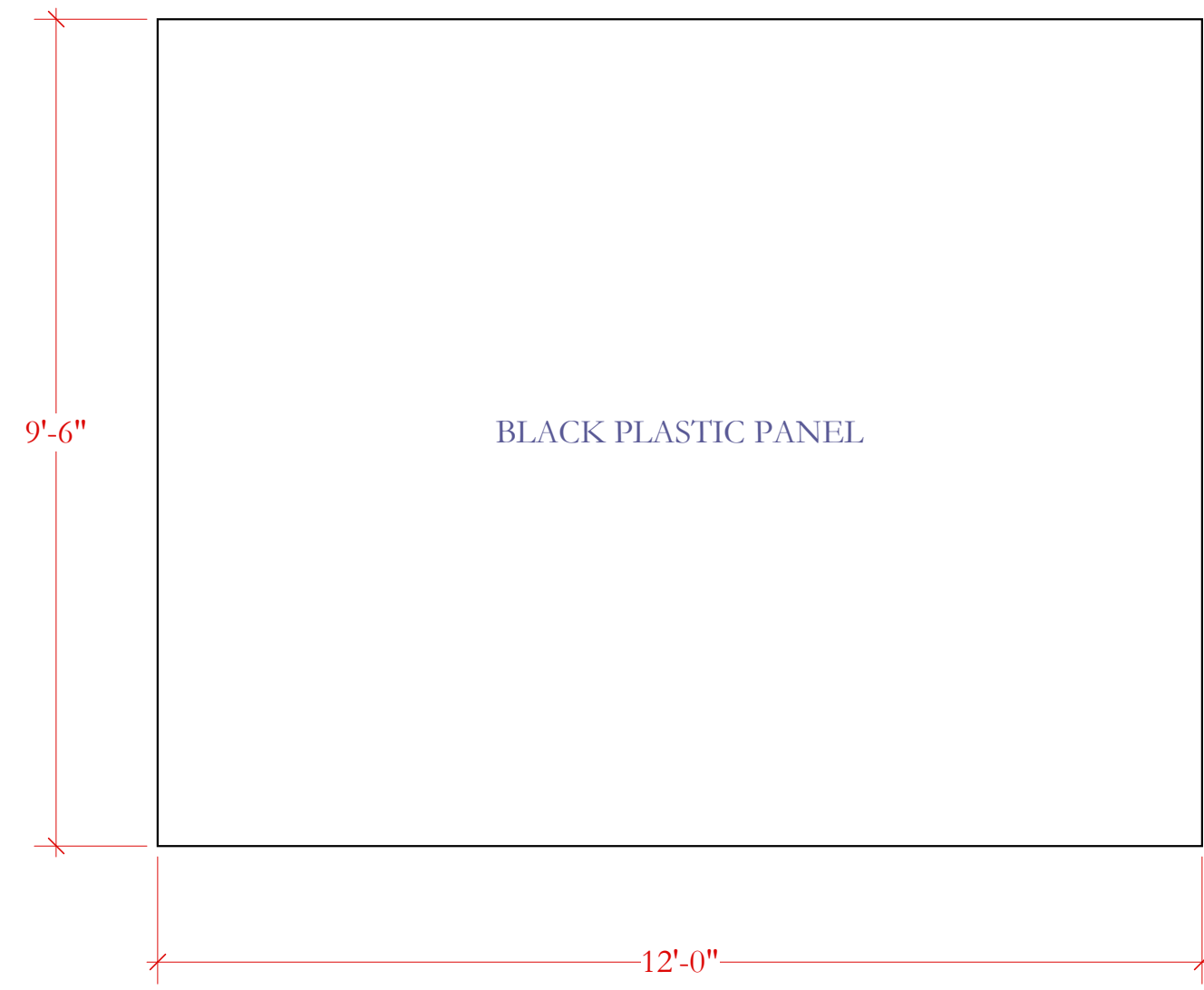
1 M1: SR BLACK AUDIENCE MASKING
Scale: 1/2" = 1'-0"



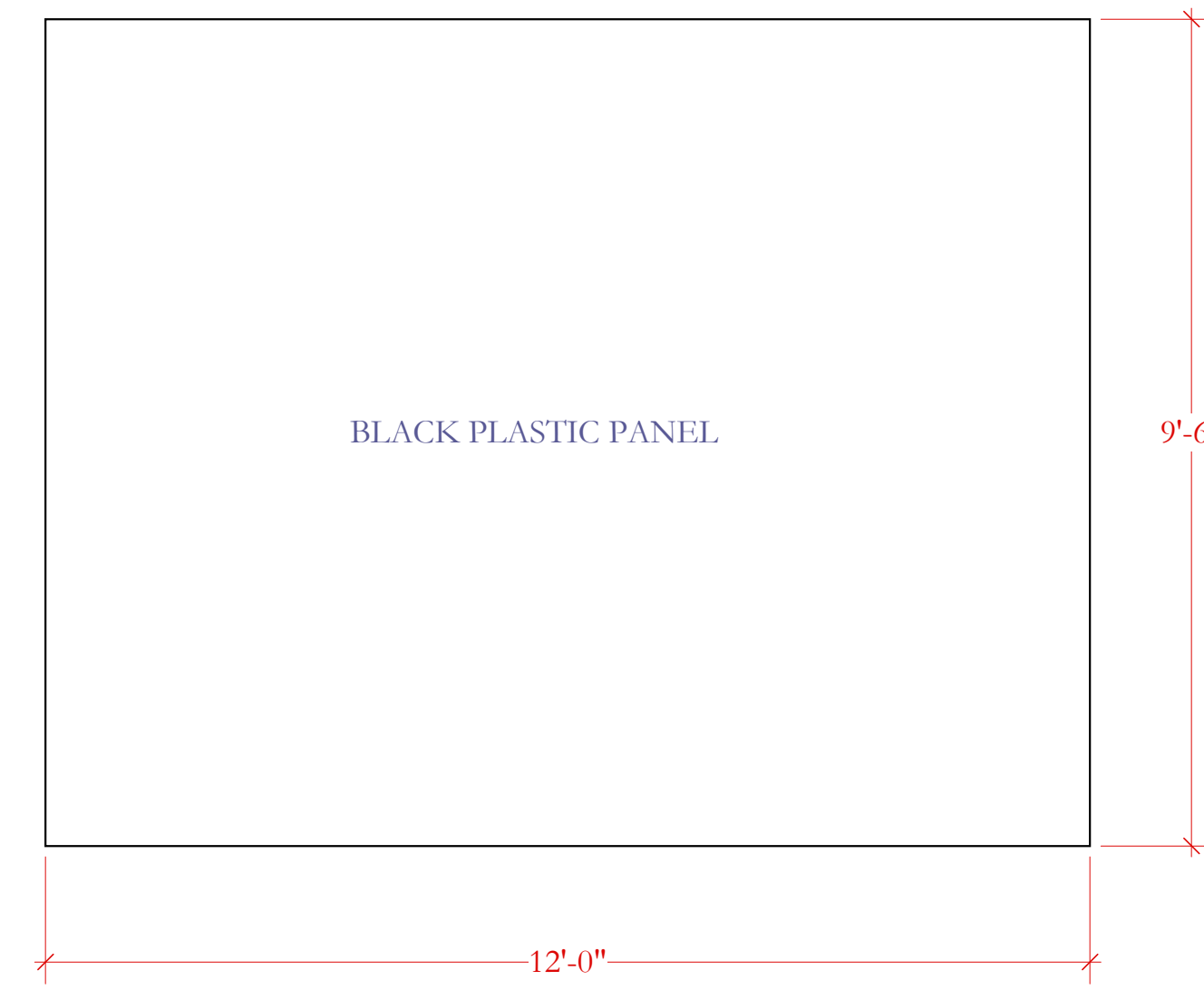
2 M2: SL BLACK AUDIENCE MASKING
Scale: 1/2" = 1'-0"



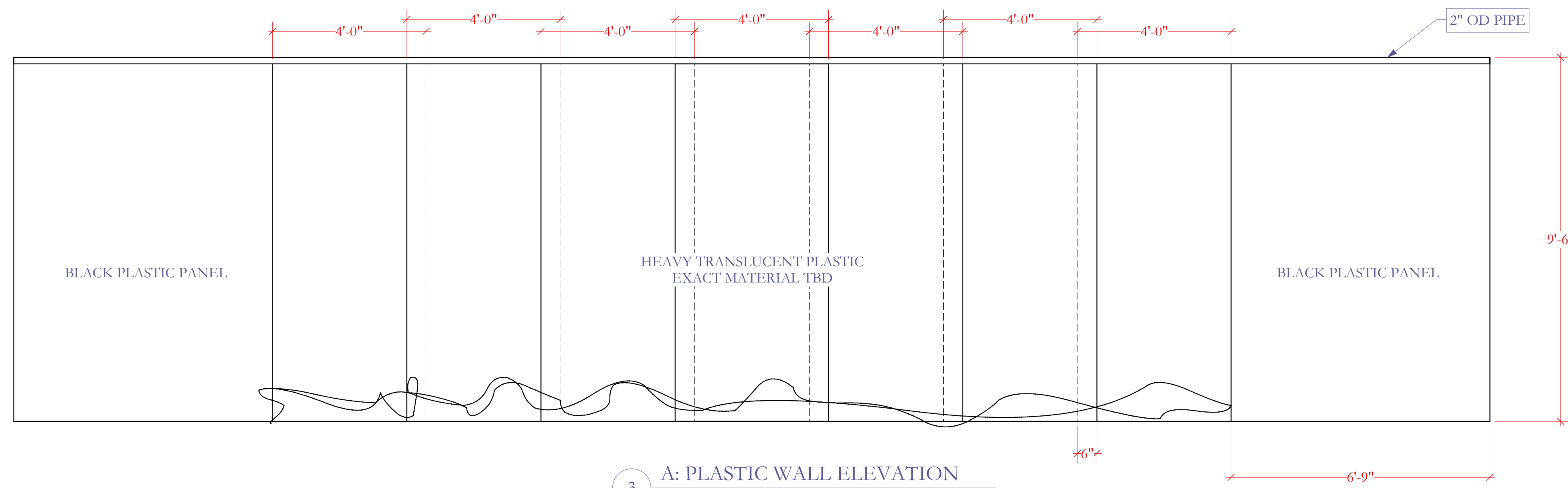
3 SECTION VIEW
Scale: 1/2" = 1'-0"



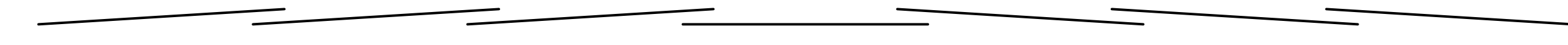
1 M3: SR BLACK MASKING
Scale: 1/2" = 1'-0"



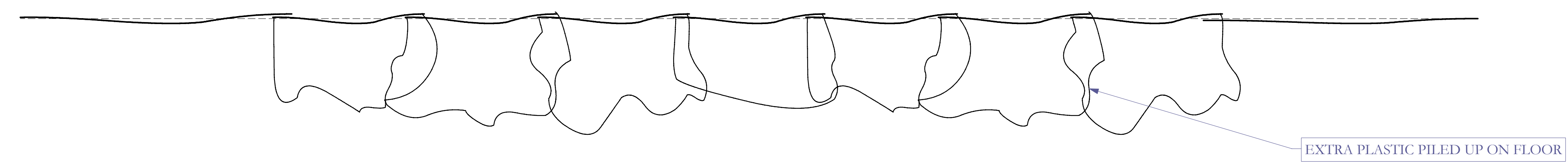
2 M4: SL BLACK MASKING
Scale: 1/2" = 1'-0"



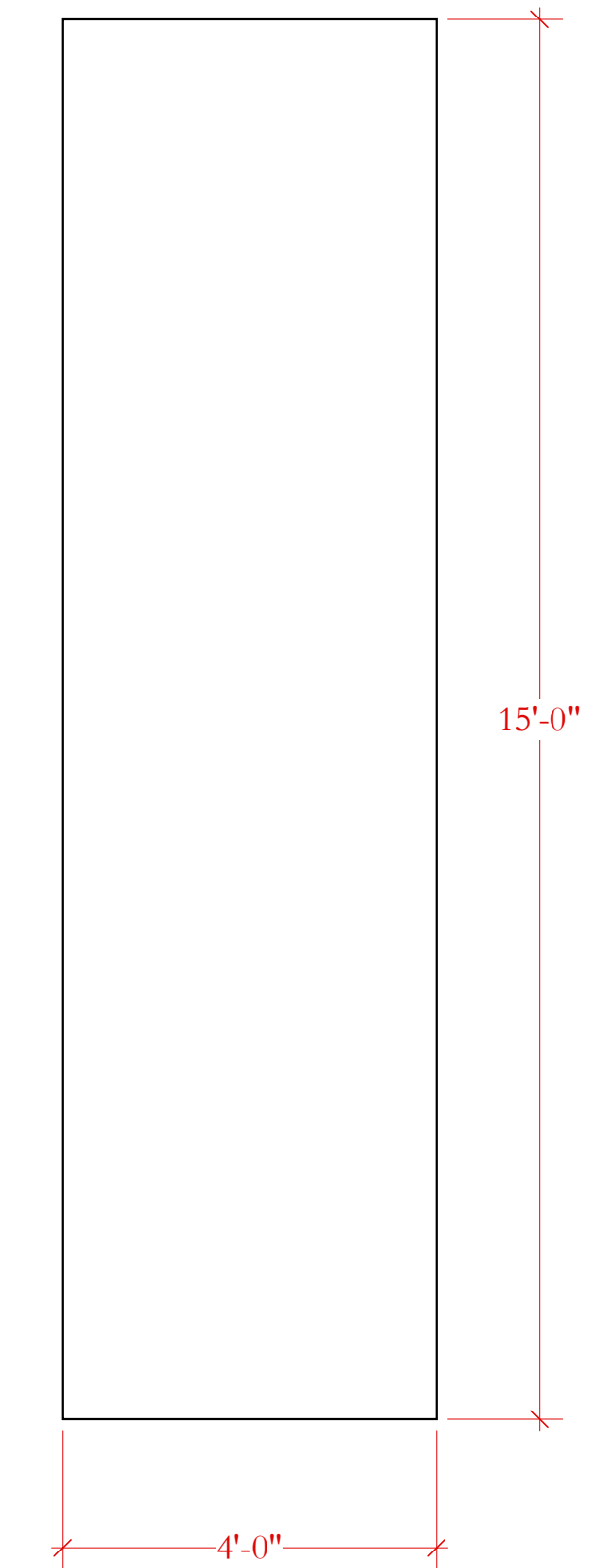
3 A: PLASTIC WALL ELEVATION
Scale: 1/2" = 1'-0"



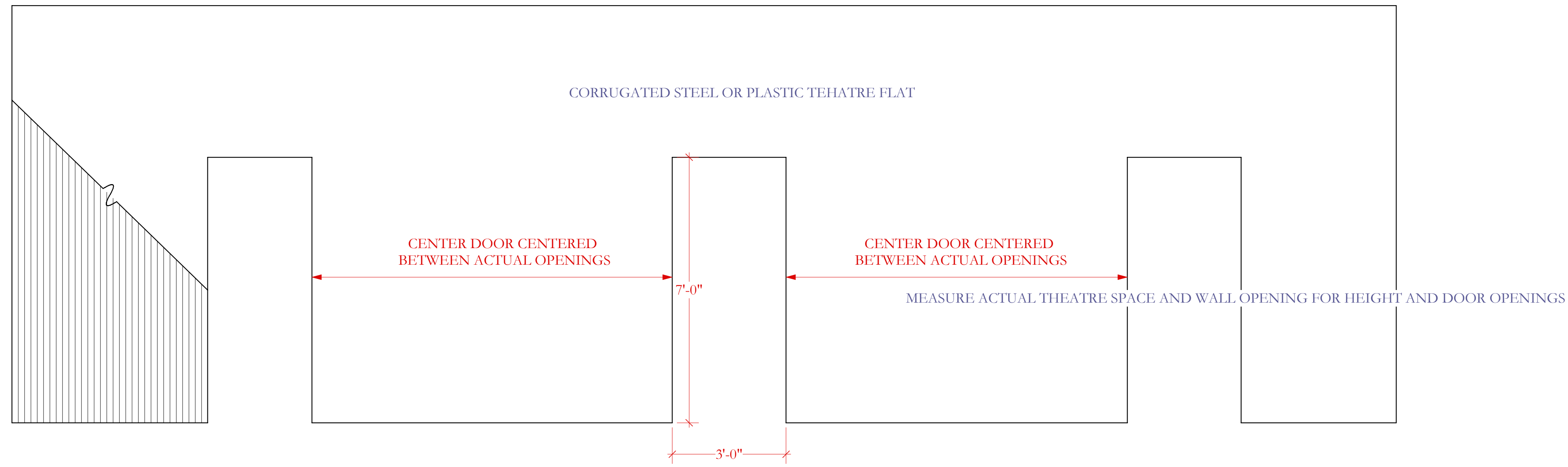
PLAN VIEW WITH PANEL OVERLAPS EMPHASISED FOR CLARITY



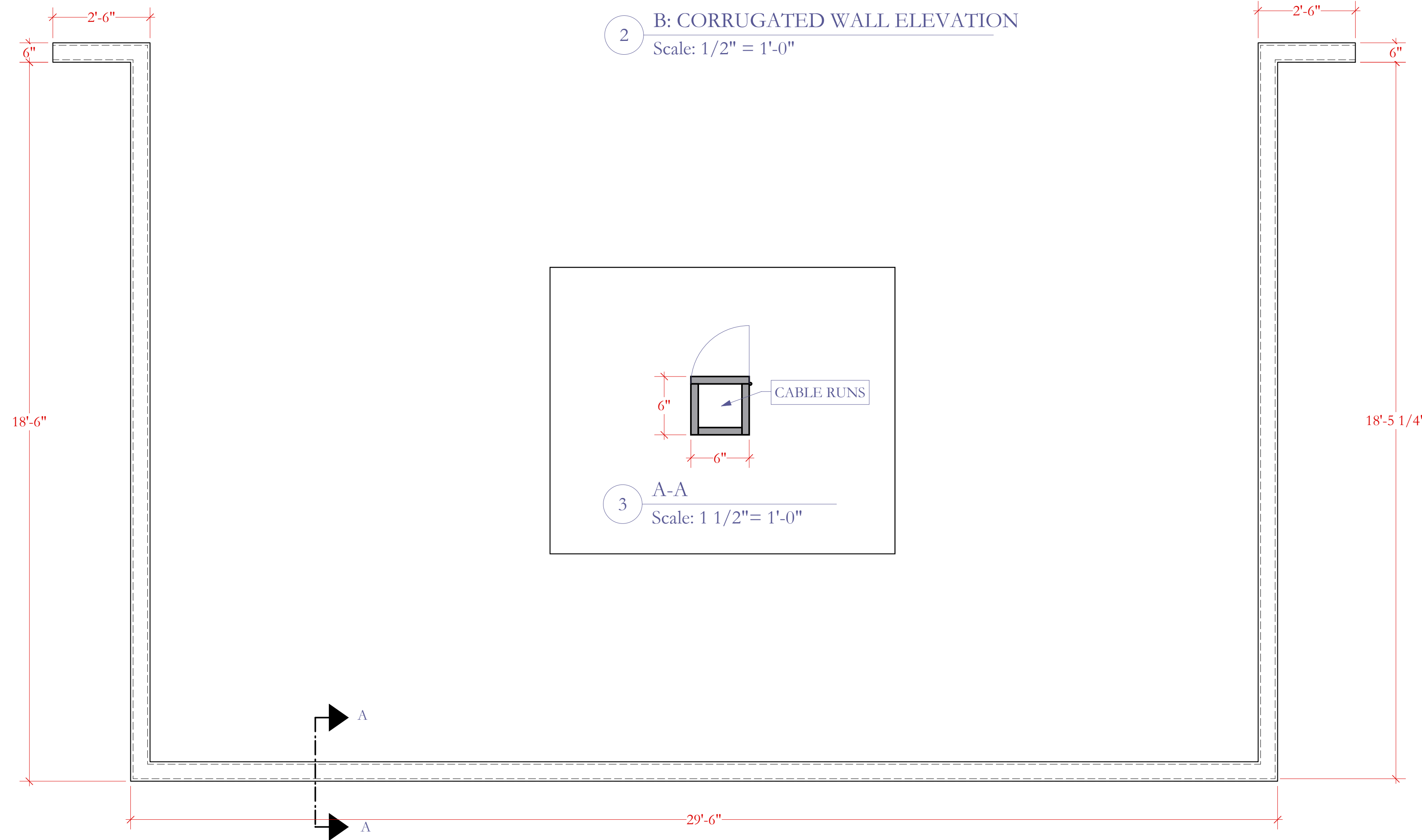
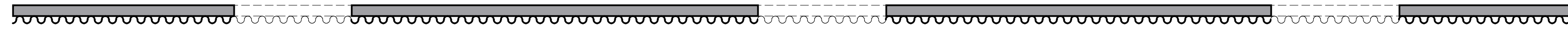
4 PLASTIC WALL PLAN
Scale: 1/2" = 1'-0"



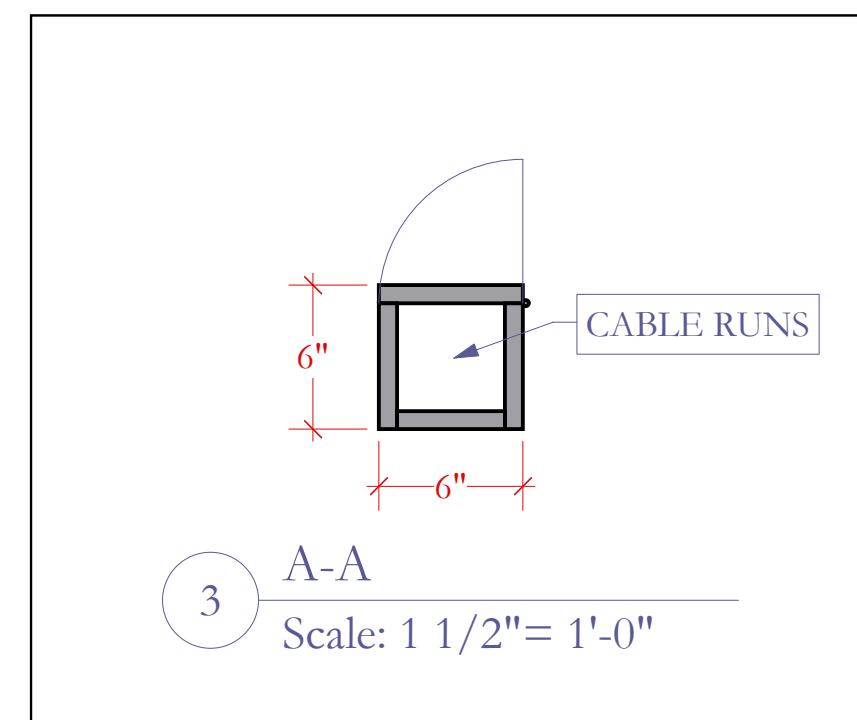
5 TRANSLUCENT PLASTIC PANEL ACTUAL SIZE
Scale: 1/2" = 1'-0"



1 B: CORRUGATED WALL ELEVATION
Scale: 1/2" = 1'-0"

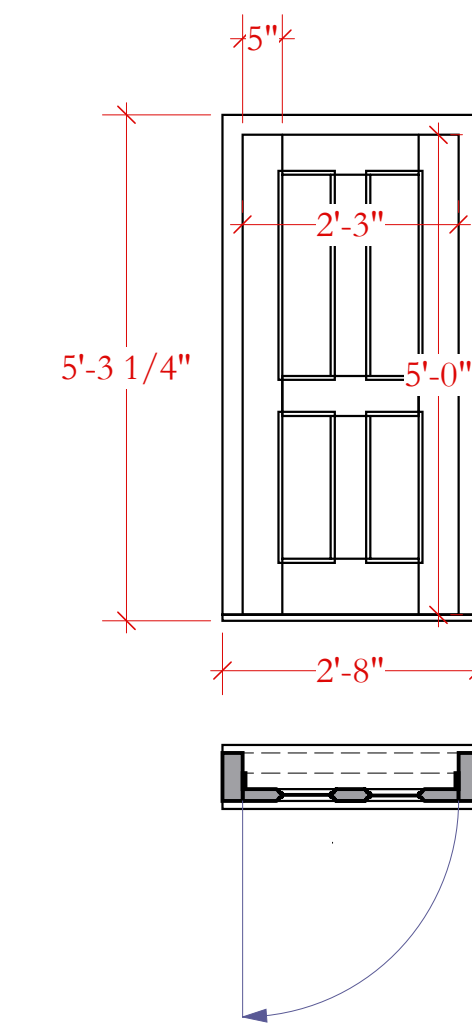


2 B: CORRUGATED WALL ELEVATION
Scale: 1/2" = 1'-0"



3 A-A
Scale: 1 1/2" = 1'-0"

4 D: CABLE RUN BOXES
Scale: 1/2" = 1'-0"



5 C: SMALL DOOR
Scale: 1/2" = 1'-0"